



TEREX LIFTING AUSTRALIA PTY LTD

Curtin Avenue East • P.O. Box 1396 • Eagle Farm QLD 4009 AUSTRALIA
Telephone: (+61)7 3059 9600 Facsimile: (+61)7 3268 2499
Internet: www.terex.com.au E-Mail: info@terex.com.au

ABN 88 010 671 040
ACN 010 671 040



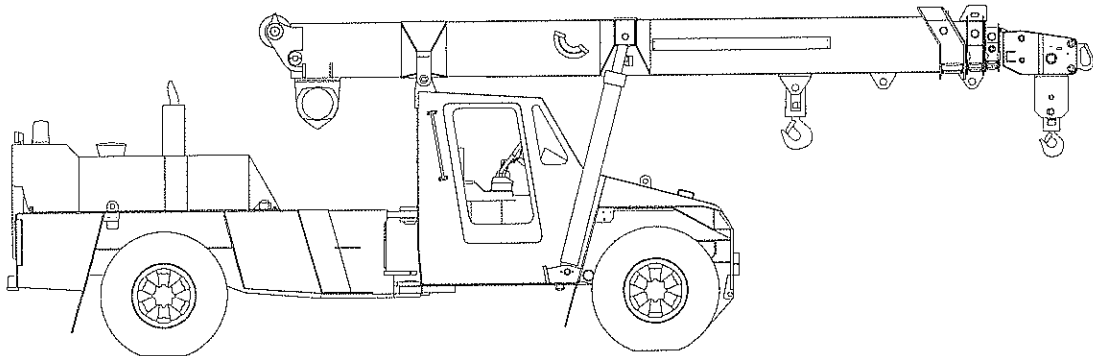
CRANE RATING MANUAL

MODEL AT-20

BOOK PART NUMBER 16C1320-

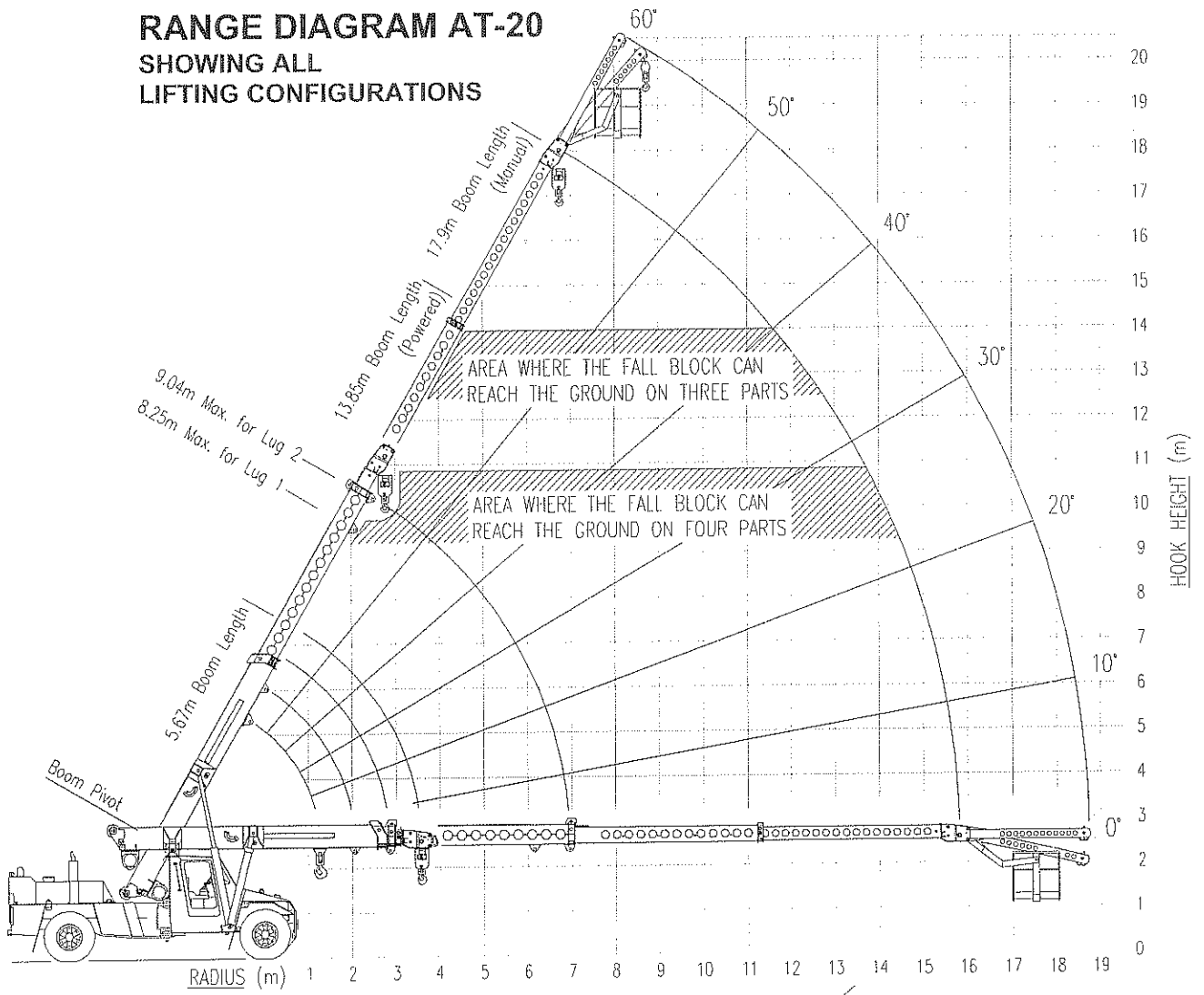
HYDRAULIC ALL TERRAIN PICK & CARRY CRANE

20 TONNE MAXIMUM CAPACITY

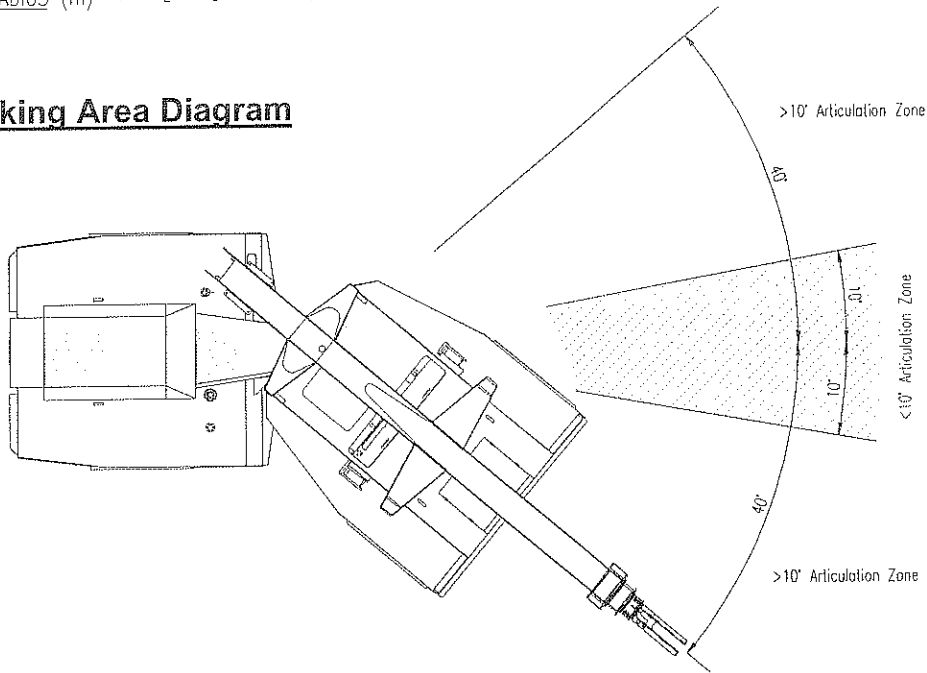


**Do not operate this
crane unless you have
read and understood
the information in this
book.**

RANGE DIAGRAM AT-20
SHOWING ALL
LIFTING CONFIGURATIONS



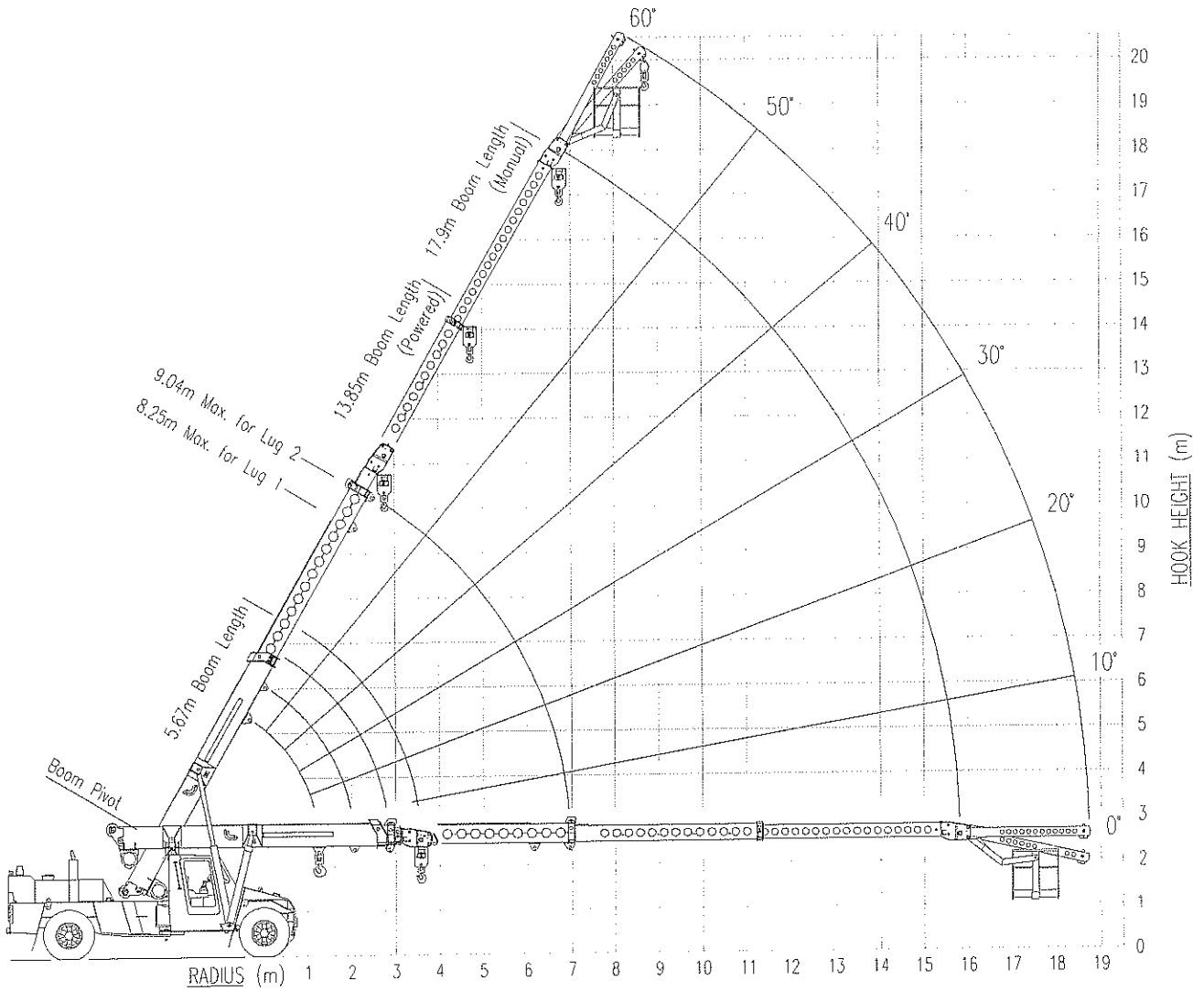
Working Area Diagram



16C1320-2-3

RANGE DIAGRAM AT-20

SHOWING ALL LIFT CONFIGURATIONS



	SWL (KG) LESS THAN 10 DEG ARTICULATION
	SWL (KG) GREATER THAN 10 DEG ARTICULATION
	BOOM ANGLE OR (RADIUS AT 0 DEG BOOM ANGLE)

Weight of slings & hook block to be added to load
Read and understand warning notes before operating crane
Loads above bold red line are structural

RADIUS	BOOM LENGTH (m)																	
	5.67	6.00	6.50	7.00	7.50	8.00	8.50	9.00	9.50	10.00	10.50	11.00	11.50	12.00	12.50	13.00	13.50	13.85
1.6	16800	16250	15450	14900														
	12600	12600	12600	12600														
2.0	16800	16800	16500	15700	15100	14700	14350											
	12600	12600	12600	12600	12600	12600	12600											
2.5	13900	13900	13900	13850	13850	13850	13850	13200	13000									
	12150	12150	12100	12100	12100	12100	12100	12050	12050									
3.0	11450	11450	11450	11400	11400	11400	11400	11400	11400	11150	10250							
	9950	9950	9950	9950	9950	9950	9950	9900	9900	9900	9900							
3.5	9650	9650	9650	9650	9650	9650	9650	9650	9650	9650	9500	8150	7500					
	8400	8400	8400	8400	8400	8400	8400	8400	8350	8350	8350	8150	7500					
4.0	8	20	29	36	41	45	48	51	53	55	57	59	60					
	9450	8550	8350	8350	8350	8350	8350	8350	8300	8300	8300	7600	7000	6700	6450			
4.5	8200	7450	7250	7250	7250	7250	7250	7250	7200	7200	7200	7200	7000	6700	6450			
	(3.57)	(3.90)	19	28	35	39	43	47	49	52	54	56	57	59	60			
5.0	7500	7300	7300	7300	7300	7300	7300	7300	7300	7300	7300	7150	6550	6250	6050	5800	5650	
	6500	6350	6350	6350	6350	6350	6350	6350	6300	6300	6300	6300	6300	6250	6050	5800	5650	
6.0	(4.40)	19	27	34	38	42	45	48	50	52	54	56	58	60				
	6650	6500	6500	6500	6500	6500	6500	6500	6500	6500	6500	6500	6150	5900	5650	5450	5300	5150
7.0	5750	5600	5600	5600	5600	5600	5600	5600	5600	5600	5600	5600	5600	5600	5600	5450	5300	5150
	(4.90)	18	27	33	37	41	44	47	49	51	53	55	56	58	59			
8.0	5950	5350	5250	5250	5250	5250	5250	5250	5250	5250	5250	5250	5250	5250	5050	4850	4700	4600
	5100	4600	4550	4550	4550	4550	4550	4550	4500	4500	4500	4500	4500	4500	4500	4500	4500	4500
9.0	(5.40)	(5.90)	17	25	31	35	39	42	45	47	49	51	53	54				
	4850	4450	4400	4400	4400	4400	4400	4400	4400	4400	4400	4400	4400	4350	4200	3950		
10.0	4200	3800	3750	3750	3750	3750	3750	3750	3750	3750	3750	3750	3750	3750	3750	3750	3750	3750
	(6.40)	(6.90)	16	24	29	34	37	40	43	45	47	48						
11.0	4100	3750	3700	3700	3700	3700	3700	3700	3700	3700	3700	3700	3700	3700	3700	3600		
	3500	3200	3150	3150	3150	3150	3150	3150	3150	3150	3150	3150	3150	3150	3150	3150	3150	3150
11.75	(7.40)	(7.90)	15	23	28	32	36	38	41	43								
	3500	3250	3200	3200	3200	3200	3200	3200	3200	3200	3200	3200	3200	3200	3200	3200	3200	3200
	2950	2750	2700	2700	2700	2700	2700	2700	2700	2700	2700	2700	2700	2700	2700	2700	2700	2700
	(8.40)	(8.90)	15	22	27	31	34	36										
	3000	2800	2800	2800	2800	2800	2800	2800	2800	2800	2800	2800	2800	2800	2800	2800	2800	2800
	2550	2400	2350	2350	2350	2350	2350	2350	2350	2350	2350	2350	2350	2350	2350	2350	2350	2350
	(9.40)	(9.90)	14	21	26	29												
	2650	2500	2450	2450	2450	2450	2450	2450	2450	2450	2450	2450	2450	2450	2450	2450	2450	2450
	2200	2100	2050	2050	2050	2050	2050	2050	2050	2050	2050	2050	2050	2050	2050	2050	2050	2050
	(10.40)	(10.90)	13	18														
	2350	2250	2250	2250	2250	2250	2250	2250	2250	2250	2250	2250	2250	2250	2250	2250	2250	2250
	1950	1850	1850	1850	1850	1850	1850	1850	1850	1850	1850	1850	1850	1850	1850	1850	1850	1850
	(11.40)	(11.75)																

	SWL (KG) LESS THAN 10 DEG ARTICULATION
	SWL (KG) GREATER THAN 10 DEG ARTICULATION
	BOOM ANGLE

*Weight of slings & hook block to be added to load
 Read and understand warning notes before operating crane
 Loads above bold red line are structural*

MANUAL EXT'N	
MAX LENGTH 17.90	
MAX RADIUS	SWL
6.74	2550
	60
9.31	2250
	2250
	50
11.53	2050
	2050
	40
13.34	1900
	1700
	30
14.67	1800
	1500
	20
15.51	1650
	1350
	10
15.80	1600
	1300
	0

NOTE :
 17.9m Boom length includes Manual 3rd extension.
 Ratings for Manual extension are structural & based on Boom Angle, not radius. The ratings do not change if the power sections are retracted with the manual extended.

SWL (KG) LESS THAN 10 DEG ARTICULATION
 SWL (KG) GREATER THAN 10 DEG ARTICULATION
 BOOM ANGLE OR (RADIUS AT 0 DEG BOOM ANGLE)

Weight of slings & hook block to be added to load
 Read and understand warning notes before operating crane
 Loads above bold red line are structural

RADIUS	BOOM LENGTH (m)																	
	5.97	6.50	7.00	7.50	8.00	8.50	9.00	9.50	10.00	10.50	11.00	11.50	12.00	12.50	13.00	13.50	14.00	14.16
1.6	10000	10000	10000	10000														
2.0	10000	10000	10000	10000	10000	10000												
2.5	10000	10000	10000	10000	10000	10000	10000	10000										
3.0	10000	10000	10000	10000	10000	10000	10000	10000	10000	10000								
3.5	9750	9750	9750	9700	9700	9700	9700	9700	9700	9650	8850	7650						
4.0	8500	8500	8450	8450	8450	8450	8450	8400	8400	8400	8400	7650						
4.5	8700	8400	8400	8400	8400	8400	8400	8350	8350	8350	8100	7100	6750	6500				
5.0	7550	7300	7300	7300	7300	7300	7300	7250	7250	7250	7250	7100	6750	6500				
5.5	7550	7400	7400	7350	7350	7350	7350	7350	7350	7350	7350	7350	7100	6750	6500			
6.0	6550	6400	6400	6400	6400	6400	6400	6350	6350	6350	6350	6350	6300	6100	5850	5700		
6.5	6700	6550	6550	6550	6550	6550	6550	6550	6550	6550	6500	6500	6250	5950	5700	5550	5100	5100
7.0	5800	5650	5650	5650	5650	5650	5650	5650	5650	5650	5650	5650	5600	5600	5500	5350	5150	5100
7.5	5800	5650	5650	5650	5650	5650	5650	5650	5650	5650	5650	5650	5600	5600	5500	5350	5150	5100
8.0	6000	5400	5300	5300	5300	5300	5300	5300	5300	5300	5300	5300	5300	5100	4900	4750	4600	4550
8.5	5150	4650	4550	4550	4550	4550	4550	4550	4550	4550	4550	4550	4550	4550	4550	4550	4550	4550
9.0	4900	4500	4400	4400	4400	4400	4400	4400	4400	4400	4400	4400	4400	4400	4400	4250	4000	3950
9.5	4200	3850	3800	3800	3800	3800	3800	3800	3800	3800	3800	3800	3800	3800	3750	3750	3750	3750
10.0	4200	3850	3800	3800	3800	3800	3800	3800	3800	3800	3800	3800	3800	3800	3750	3750	3750	3750
10.5	4100	3800	3750	3750	3750	3750	3750	3750	3750	3750	3750	3750	3750	3750	3750	3750	3600	3550
11.0	3550	3250	3200	3200	3200	3200	3200	3200	3200	3200	3200	3200	3200	3200	3200	3200	3200	3200
11.5	3500	3250	3250	3250	3250	3250	3250	3250	3250	3250	3250	3250	3250	3250	3250	3250	3250	3250
12.0	3000	2800	2750	2750	2750	2750	2750	2750	2750	2750	2750	2750	2750	2750	2750	2750	2750	2750
12.5																		
13.0																		
13.5																		
14.0																		
14.16																		

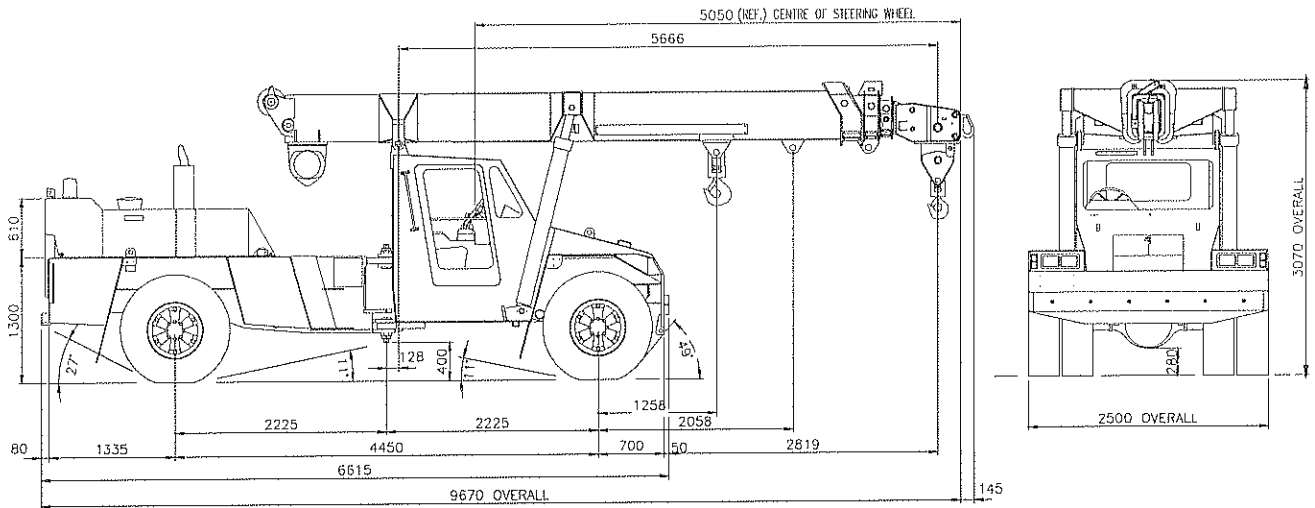
	SWL (KG) LESS THAN 10 DEG ARTICULATION
	SWL (KG) GREATER THAN 10 DEG ARTICULATION
	BOOM ANGLE

*Weight of slings & hook block to be added to load
Read and understand warning notes before operating crane
Loads above bold red line are structural*

MANUAL EXT'N	
MAX LENGTH 18.20	
MAX RADIUS	SWL
	2400
6.91	2400
	60
	2100
9.52	2100
	50
	1900
11.78	1900
	40
	1800
13.62	1650
	30
	1750
14.97	1450
	20
	1550
15.81	1350
	10
	1550
16.11	1300
	0

NOTE :
18.2m Boom length includes Manual 3rd extension.
Ratings for Manual extension are structural & based on Boom Angle, not radius. The ratings do not change if the power sections are retracted with the manual extended.

INFORMATIONAL DATA



Crane Dimensions

Length (carrier)	6 615
Width	2 500
Height (with Boom)	3 070
Length Overall	9 670
Wheelbase	4 450
Front Axle Weight	8 000 kg
Rear Axle Weight	11 500 kg