

# Model X23J COMPACT CRAWLERS

# JLG®

## MORE ECONOMIC

- Minimal emissions and noise pollution.

## MORE PRODUCTIVE

- Reduce your set-up time with auto-levelling outriggers.

## MORE ACCESS

- Equipped with track drive for easy manoeuvrability in sensitive environments.

## SMART DESIGN

- Low weight for ease of transportation and operation in weight restricted areas.



## Standard Features

- 0.69 m x 1.34 m Aluminium 2 person platform
- Slide bar rear entry
- Footswitch
- Full proportional control
- Articulating jib
- Powered platform rotator (124°)
- Remote Control (via cable to platform)
- Multi-lingual LCD display on platform console
- Platform console position sensor and lock
- Envelope management load sensing system
- Platform designed for ease of removal/changeover
- AC Cable to platform
- 6,5 mm (1/4 ") air/water line to platform
- Engine protection
- Automatic Stabilization
- Automatic Stabilization with Variable Outrigger Footprint
- Rubber Outrigger Pads
- Cylinder Rod Protection on Outriggers
- Automatic cut-out when out of level
- Powered track extensions/retraction
- 360° non continuous rotation
- Turntable alignment sensor and gauge
- Three emergency descent systems
- Electro-hydraulic controls
- 2nd (high) Drive speed
- Lifting/Tie down points

## Standard Specifications

### Power Source

- AC electric motor
- Diesel Engine
- Hydraulic oil tank capacity

230V, 50Hz, 2.2kW  
Perkins 402.05 - 10.2 kW (14HP)  
48 L

### Tracks

- Standard

1.76 m x 0.23 m x 0.38 m  
High Profile Non Mark Rubber Tracks

## Accessories & Options

- 0.59 m x 0.79 m Aluminium 1 person platform
- 110V, 50Hz single phase power system
- 100Ah/ 72V Electric engine with Lithium battery package incl. battery charger <sup>1</sup>
- 1.76 m x 0.23 m x 0.38 m High Profile Black Rubber Tracks
- Special paint colour

# Model X23J

## COMPACT CRAWLERS



### Performance

• Working Height*	23.10 m
• Horizontal Working Outreach*	11.63 m
• Platform capacity - unrestricted	♠/120 kg
• Platform capacity - restricted	♠♠/200 kg
• Up & Over Height*	9.38 m
• Swing (non continuous)	360°
• Jib - overall length	1.43 m
• Jib - range of articulation (+/-)	85° (-1° / -86°)
• Platform size (standard 2 persons)	0.69 m x 1.34 m
• Stowed width (with std. 2P platform)	1.34 m
• Dimensions:	
A. Stowed width (without platform) <sup>1</sup>	0.99 m
B. Stowed height (on tracks) <sup>2</sup>	1.99 m
C. Stowed length (on tracks)	6 m
D. Outrigger footprint	3.98 m x 3.98 m
• Machine weight (with standard platform) <sup>3</sup>	3,090 kg
• Max. ground bearing pressure (on outriggers)	3.06 kg/cm <sup>2</sup>
• Maximum drive speed (single speed m/c) Petrol	1 km/h
• Gradeability	28.7%
• Maximum operating slope	13°
• Max. Approach / Depart angles	Front 22° / Rear 25°
• Width of Undercarriage (Retracted/Extended)	0.99 m / 1.29 m
• Basket rotation	124° (+/-62°)

<sup>1</sup> With outrigger pads removed. Pads increase width by 75 mm in stowed position.

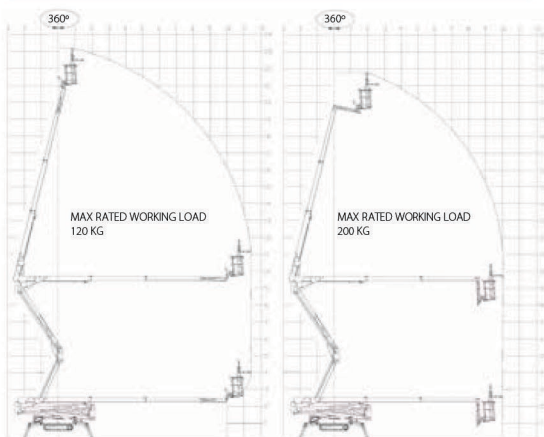
<sup>2</sup> No change in this dimension with or without outrigger pads removed.

<sup>3</sup> Dry weight. Certain options or country standards may increase weight and/or dimensions.

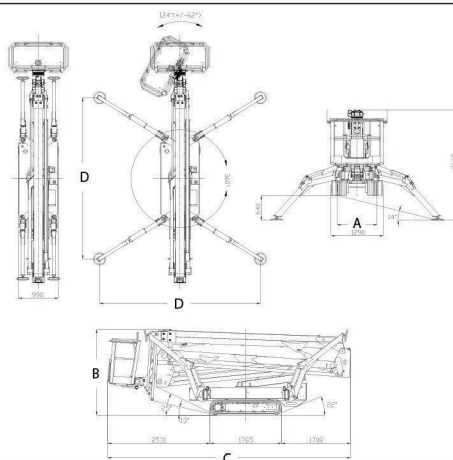
\* Standard platform, unrestricted platform capacity.



### Reach Diagram



### Dimensions



### IMPORTANT

JLG is continually researching and developing products and reserves the right to make modifications without prior notice. All data in this document is indicative. Certain options or country standards will increase weight. Specifications may change to meet country standards or with the addition of optional equipment.



### JLG EMEA BV

Polaris Avenue 63  
2132 JH Hoofddorp  
The Netherlands  
Phone: +31 (0)23 565 5665  
[www.jlg.com](http://www.jlg.com)