

TEREX BENDINI

RC30-1

Serial Number 309064



INFORMATION

YEAR OF PRODUCTION

2011

LOCATION

Dubai, U.A.E

Price: On Request

Contact

martin.kirby@johnsonarabia.com



JOHNSON
ARABIA

800-LIFTING

TEREX BENDINI

RC30-1

Serial Number 309064

Data Sheet

Truck Performance Data

Max. travelling speed (on 14.00R24 tyres)	34 km/h
Max. travelling speed (on on 16.00R25 tyres)	36 km/h
Max. theoretical ramp during operation (on14.00R24 tyres)	118%
Max. theoretical ramp during operation (on16.00R25 tyres)	99%

Operating Speed and Time

Main winch (max. speed under direct pull)	80 m/min
Telescopic boom lifting / lowering	77 / 67s
Telescopic boom extension / retraction (10.3 m to 32.4 m)	92 / 40 s
Upper structure slewing	25 s
Extension of single outrigger beam	4 s
Extension of single outrigger	10 s

Weight

1st axle	10.7 t
2nd axle	12.8 t
Total	23.5 t

Chassis Number

309064

SPEED AND WEIGHT

Price: On Request

Contact

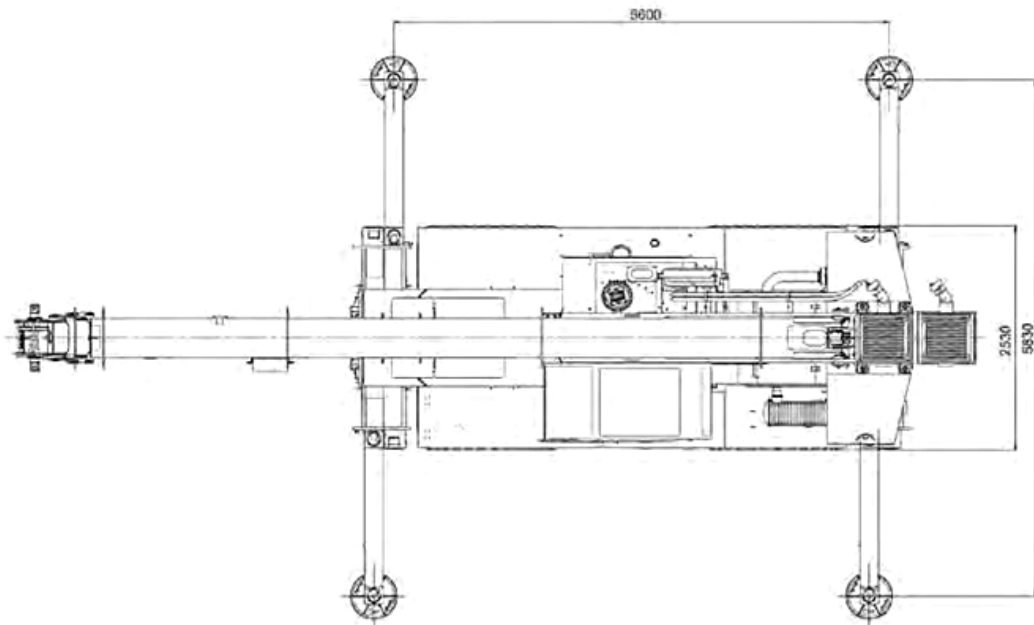
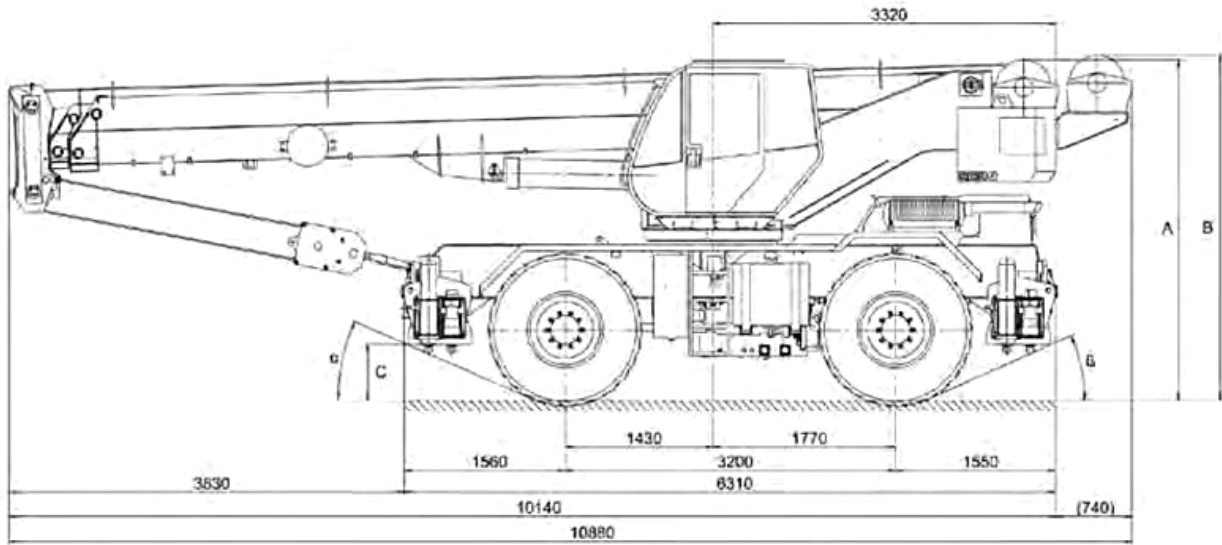
martin.kirby@johnsonarabia.com



TEREX BENDINI

RC30-1

Serial Number 309064



DIMENSIONS



JOHNSON
ARABIA

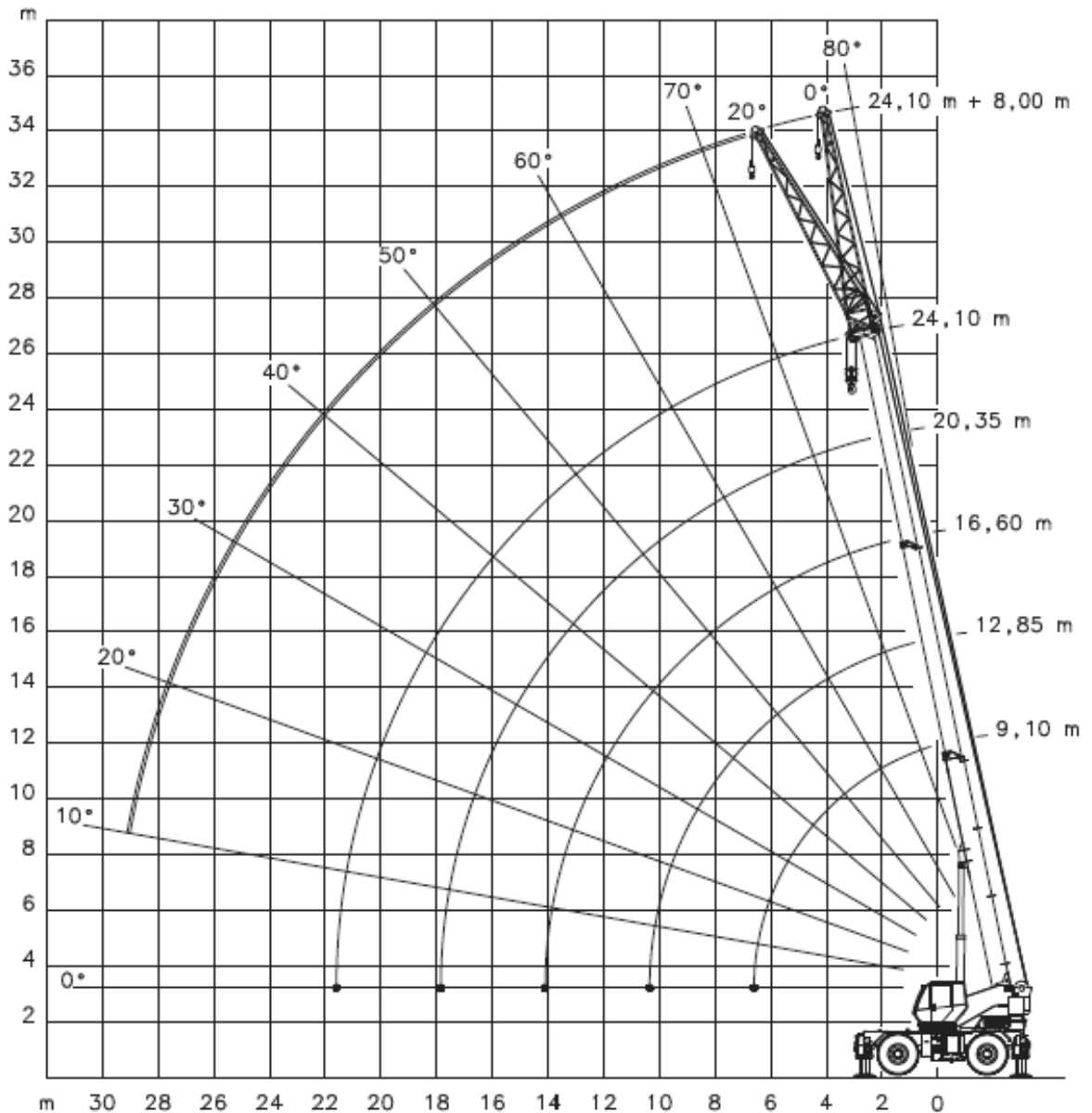
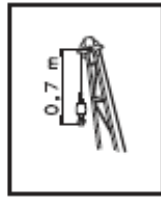
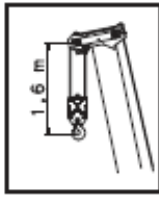
Price: On Request
Contact
martin.kirby@johnsonarabia.com

800-LIFTING

TEREX BENDINI

RC30-1

Serial Number 309064



WORKING RANGE

Price: On Request

Contact

martin.kirby@johnsonarabia.com



JOHNSON
ARABIA

800-LIFTING