

TEREX BENDINI

A 600

Serial Number 505349



INFORMATION

YEAR OF PRODUCTION

2006

LOCATION

Sohar, Oman

Price: On Request

Contact

martin.kirby@johnsonarabia.com



JOHNSON
ARABIA

800-LIFTING

TEREX BENDINI

A 600

Serial Number 505349

DATA SHEET

Truck Performance Data

Max. travelling speed (on 18.00R25 - A600S tyres)	30 km/h
Max. travelling speed (on 23.5R25 - A600L tyres)	30 km/h
Max. travelling speed (on 26.5R25 - A600L tyres)	32 km/h
Max. theoretical ramp during operation (on 18.00R25 - A600S tyres)	170 %
Max. theoretical ramp during operation (on 23.5R25 - A600L tyres)	174 %
Max. theoretical ramp during operation (on 26.5R25 - A600L tyres)	135 %

Operating Speed and Time

Main winch (max. speed under direct pull)	150 m/min
Auxiliary winch (max. speed under direct pull)	80 m/min
Telescopic boom lifting / lowering	50 / 40 s
Telescopic boom extension / retraction (10.3 m to 32.4 m)	90 / 80 s
Upper structure slewing	30 s
Extension of single outrigger beam	25 s
Extension of single outrigger	35 s

Weight

A600S weights(2S)

1st axle	18.2 t
2nd axle	21.8 t
Total	40.0 t

A600S weights(2S)

1st axle	18.4 t
2nd axle	22.1 t
Total	40.5 t

TECHNICAL DETAILS

Price: On Request

Contact

martin.kirby@johnsonarabia.com



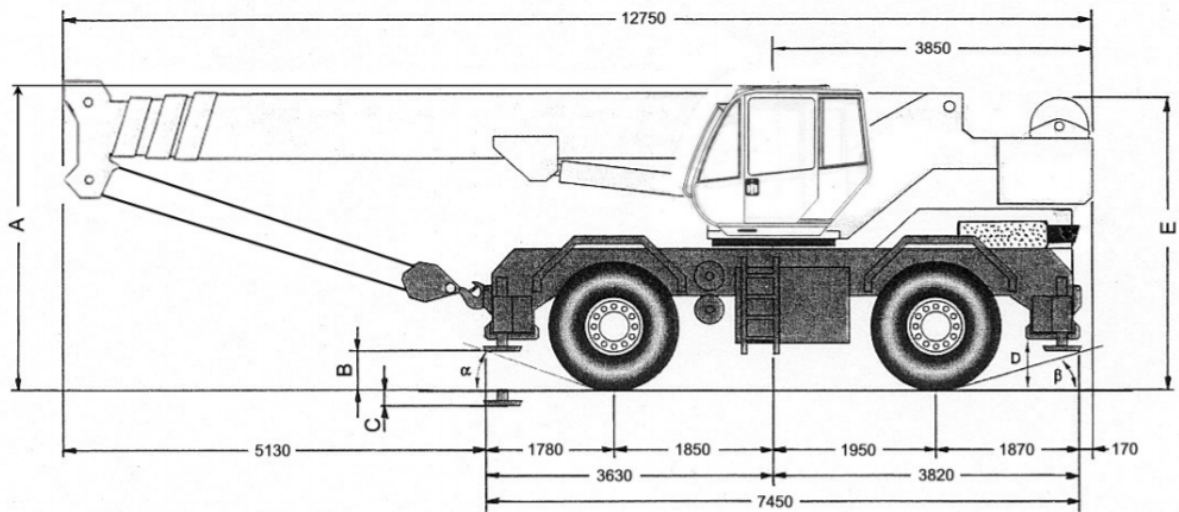
JOHNSON
ARABIA

800-LIFTING

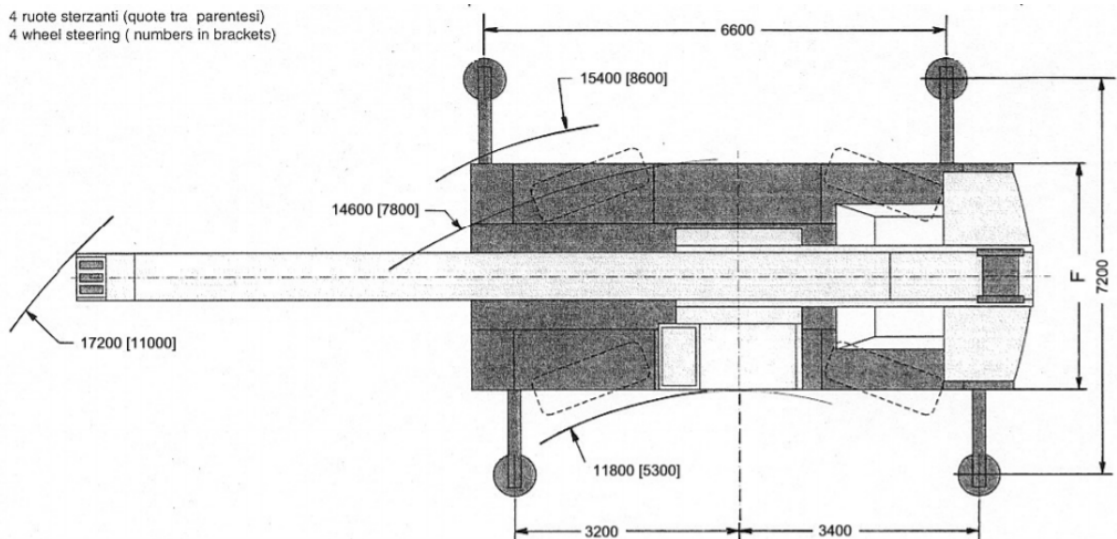
TEREX BENDINI

A 600

Serial Number 505349



4 ruote sterzanti (quote tra parentesi)
4 wheel steering (numbers in brackets)



DIMENSIONS



JOHNSON
ARABIA

Price: On Request

Contact

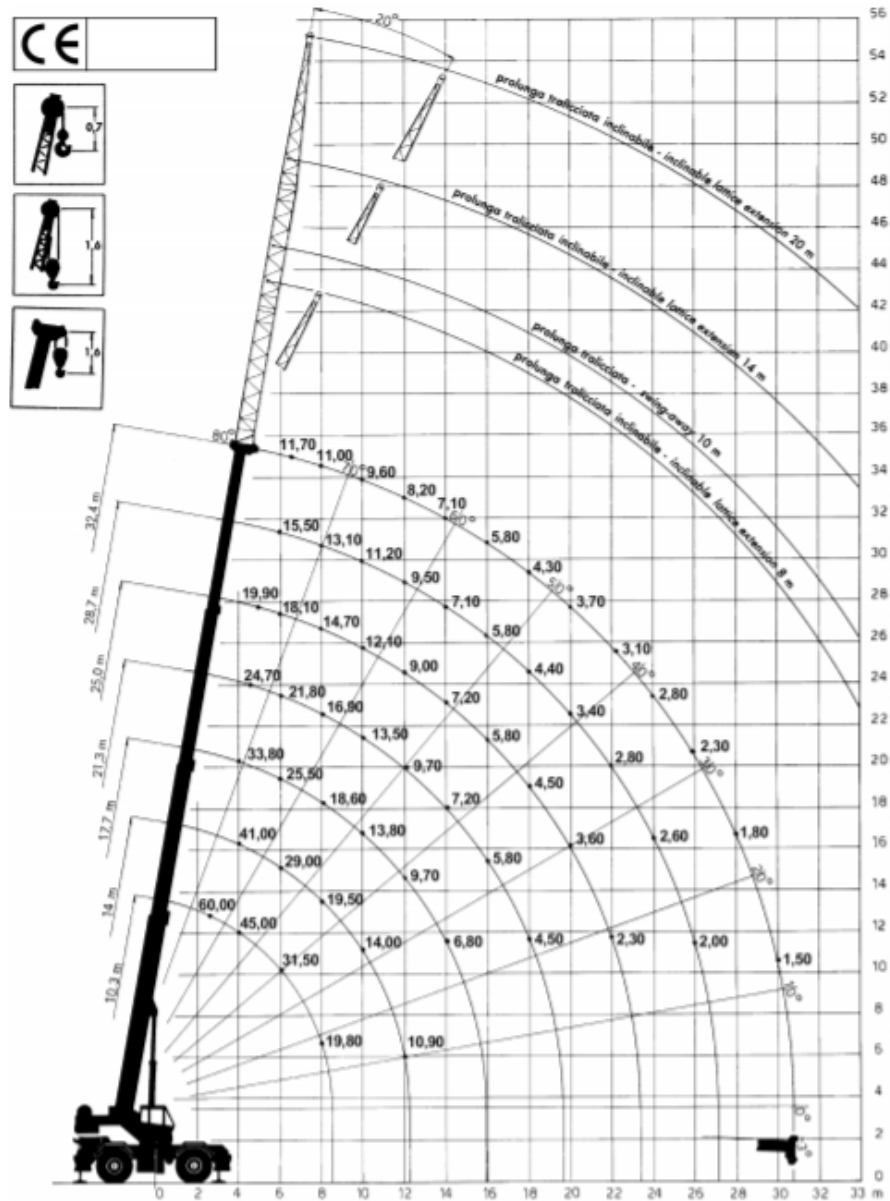
martin.kirby@johnsonarabia.com

800-LIFTING

TEREX BENDINI

A 600

Serial Number 505349



WORKING RANGE

Price: On Request

Contact

martin.kirby@johnsonarabia.com



JOHNSON
ARABIA

800-LIFTING