



# AMERICAN HC 80

## Hydraulic Crawler Crane 47 HI Boom

### LIFT RATINGS IN POUNDS

With 47HI Offset Tip Boom and 58,100 Pound Counterweight

| Boom           | Radius (Feet) | Boom Angle (Degrees) | Side Frames Extended (Pounds) | From Boom Pt. to Ground (Feet) | Boom            | Radius (Feet)   | Boom Angle (Degrees) | Side Frames Extended (Pounds) | From Boom Pt. to Ground (Feet) | Boom            | Radius (Feet)   | Boom Angle (Degrees) | Side Frames Extended (Pounds) | From Boom Pt. to Ground (Feet) |     |
|----------------|---------------|----------------------|-------------------------------|--------------------------------|-----------------|-----------------|----------------------|-------------------------------|--------------------------------|-----------------|-----------------|----------------------|-------------------------------|--------------------------------|-----|
| 40'<br>(12.2M) | 11            | 80.5                 | 160,000 *                     | 45                             | 100'<br>(30.5M) | 21              | 80.4                 | 80,910                        | 104                            | 140'<br>(42.7M) | 80              | 57.3                 | 12,860                        | 123                            |     |
|                | 12            | 79.0                 | 160,000 *                     | 45                             |                 | 25              | 78.1                 | 62,690                        | 103                            |                 | 90              | 52.2                 | 10,880                        | 116                            |     |
|                | 15            | 74.6                 | 141,480                       | 44                             |                 | 30              | 75.2                 | 48,580                        | 102                            |                 | 100             | 46.8                 | 9,330                         | 108                            |     |
|                | 20            | 67.0                 | 87,810                        | 42                             |                 | 35              | 72.2                 | 39,590                        | 101                            |                 | 110             | 40.9                 | 8,070                         | 97                             |     |
|                | 25            | 58.8                 | 63,360                        | 40                             |                 | 40              | 69.1                 | 33,190                        | 99                             |                 | 120             | 34.1                 | 7,040                         | 84                             |     |
|                | 30            | 49.9                 | 49,350                        | 36                             |                 | 50              | 62.8                 | 24,840                        | 94                             |                 | 130             | 25.8                 | 6,180                         | 66                             |     |
|                | 35            | 39.5                 | 40,320                        | 31                             |                 | 60              | 56.1                 | 19,720                        | 88                             |                 | 140             | 13.4                 | 5,470                         | 38                             |     |
|                | 40            | 25.8                 | 33,970                        | 23                             |                 | 70              | 48.9                 | 16,130                        | 81                             |                 | 150'<br>(45.7M) | 28                   | 80.9                          | 36,630 *                       | 154 |
| 50'<br>(15.2M) | 13            | 80.1                 | 160,000 *                     | 55                             |                 | 80              | 40.7                 | 13,540                        | 71                             | 30              |                 | 80.2                 | 36,540 *                      | 153                            |     |
|                | 15            | 77.8                 | 141,440                       | 54                             |                 | 90              | 30.7                 | 11,560                        | 56                             | 35              |                 | 78.2                 | 36,070 *                      | 152                            |     |
|                | 20            | 71.8                 | 87,750                        | 53                             |                 | 100             | 16.0                 | 10,010                        | 33                             | 40              |                 | 76.3                 | 32,360                        | 151                            |     |
|                | 25            | 65.6                 | 63,280                        | 51                             |                 | 110'<br>(33.5M) | 22                   | 80.8                          | 72,040 *                       | 114             |                 | 50                   | 72.3                          | 23,960                         | 148 |
|                | 30            | 59.1                 | 49,250                        | 48                             |                 |                 | 25                   | 79.2                          | 62,530                         | 113             |                 | 60                   | 68.2                          | 18,900                         | 145 |
|                | 35            | 52.0                 | 40,220                        | 45                             |                 |                 | 30                   | 76.5                          | 48,420                         | 112             |                 | 70                   | 64.0                          | 15,310                         | 140 |
| 40             | 44.2          | 33,860               | 40                            | 35                             |                 |                 | 73.8                 | 39,430                        | 111                            | 80              |                 | 59.7                 | 12,690                        | 135                            |     |
| 50             | 22.9          | 25,540               | 25                            | 40                             |                 |                 | 71.1                 | 33,020                        | 109                            | 90              | 55.1            | 10,710               | 128                           |                                |     |
| 60'<br>(18.3M) | 14            | 80.8                 | 145,370 *                     | 65                             | 50              |                 | 65.5                 | 24,650                        | 105                            | 100             | 50.3            | 9,150                | 121                           |                                |     |
|                | 15            | 79.8                 | 141,380                       | 64                             | 60              |                 | 59.6                 | 19,560                        | 100                            | 110             | 45.1            | 7,890                | 112                           |                                |     |
|                | 20            | 74.9                 | 87,660                        | 63                             | 70              |                 | 53.3                 | 15,970                        | 94                             | 120             | 39.4            | 6,860                | 101                           |                                |     |
|                | 25            | 69.9                 | 63,170                        | 62                             | 80              | 46.4            | 13,360               | 85                            | 130                            | 32.9            | 6,000           | 87                   |                               |                                |     |
|                | 30            | 64.7                 | 49,120                        | 60                             | 90              | 38.7            | 11,380               | 74                            | 140                            | 24.9            | 5,270           | 69                   |                               |                                |     |
|                | 35            | 59.2                 | 40,100                        | 57                             | 100             | 29.2            | 9,840                | 59                            | 150                            | 12.9            | 4,650           | 39                   |                               |                                |     |
|                | 40            | 53.4                 | 33,730                        | 54                             | 110             | 15.2            | 8,590                | 34                            | 160'<br>(48.8M)                | 30              | 80.8            | 31,770 *             | 163                           |                                |     |
|                | 50            | 40.2                 | 25,400                        | 44                             | 120'<br>(36.6M) | 24              | 80.6                 | 60,160 *                      |                                | 124             | 35              | 79.0                 | 31,370 *                      | 162                            |     |
| 60             | 20.8          | 20,230               | 27                            | 25                             |                 | 80.1            | 60,160 *             | 124                           |                                | 40              | 77.1            | 30,790 *             | 161                           |                                |     |
| 70'<br>(21.3M) | 16            | 80.5                 | 125,040 *                     | 74                             |                 | 30              | 77.7                 | 48,260                        |                                | 123             | 50              | 73.4                 | 23,800                        | 159                            |     |
|                | 20            | 77.1                 | 87,590                        | 74                             |                 | 35              | 75.2                 | 39,260                        |                                | 121             | 60              | 69.7                 | 18,750                        | 155                            |     |
|                | 25            | 72.9                 | 63,090                        | 72                             |                 | 40              | 72.7                 | 32,850                        |                                | 120             | 70              | 65.8                 | 15,150                        | 151                            |     |
|                | 30            | 68.5                 | 49,040                        | 71                             |                 | 50              | 67.6                 | 24,470                        |                                | 116             | 80              | 61.8                 | 12,530                        | 146                            |     |
|                | 35            | 64.0                 | 40,020                        | 68                             |                 | 60              | 62.3                 | 19,390                        |                                | 112             | 90              | 57.6                 | 10,550                        | 141                            |     |
|                | 40            | 59.3                 | 33,640                        | 66                             |                 | 70              | 56.8                 | 15,800                        | 106                            | 100             | 53.2            | 8,990                | 134                           |                                |     |
|                | 50            | 49.2                 | 25,310                        | 58                             | 80              | 50.8            | 13,190               | 98                            | 110                            | 48.6            | 7,730           | 125                  |                               |                                |     |
|                | 60            | 37.0                 | 20,150                        | 48                             | 90              | 44.3            | 11,210               | 89                            | 120                            | 43.6            | 6,690           | 116                  |                               |                                |     |
| 80'<br>(24.4M) | 17            | 80.9                 | 109,250 *                     | 84                             | 100             | 37.0            | 9,660                | 78                            | 130                            | 38.1            | 5,830           | 104                  |                               |                                |     |
|                | 20            | 78.8                 | 87,470                        | 84                             | 110             | 28.0            | 8,410                | 62                            | 140                            | 31.8            | 5,100           | 90                   |                               |                                |     |
|                | 25            | 75.1                 | 62,960                        | 83                             | 120             | 14.5            | 7,390                | 36                            | 150                            | 24.1            | 4,480           | 71                   |                               |                                |     |
|                | 30            | 71.3                 | 48,880                        | 81                             | 130'<br>(39.6M) | 25              | 80.9                 | 50,970 *                      | 134                            | 160             | 12.5            | 3,950                | 40                            |                                |     |
|                | 35            | 67.5                 | 39,870                        | 79                             |                 | 30              | 78.6                 | 48,100                        | 133                            | 170'<br>(51.8M) | 31              | 81.0                 | 27,710 *                      | 173                            |     |
|                | 40            | 63.5                 | 33,480                        | 77                             |                 | 35              | 76.4                 | 39,120                        | 132                            |                 | 35              | 79.6                 | 27,340 *                      | 173                            |     |
|                | 50            | 55.1                 | 25,140                        | 71                             |                 | 40              | 74.1                 | 32,700                        | 130                            |                 | 40              | 77.9                 | 26,810 *                      | 172                            |     |
|                | 60            | 45.8                 | 20,000                        | 63                             |                 | 50              | 69.4                 | 24,320                        | 127                            |                 | 50              | 74.4                 | 23,610                        | 169                            |     |
| 70             | 34.5          | 16,430               | 51                            | 60                             |                 | 64.7            | 19,240               | 123                           | 60                             |                 | 70.9            | 18,580               | 166                           |                                |     |
| 80             | 17.9          | 13,830               | 30                            | 70                             |                 | 59.6            | 15,650               | 118                           | 70                             |                 | 67.3            | 14,980               | 162                           |                                |     |
| 90'<br>(27.4M) | 19            | 80.7                 | 94,540                        | 94                             |                 | 80              | 54.4                 | 13,040                        | 111                            |                 | 80              | 63.6                 | 12,360                        | 158                            |     |
|                | 20            | 80.0                 | 87,330                        | 94                             | 90              | 48.7            | 11,060               | 103                           | 90                             |                 | 59.7            | 10,360               | 152                           |                                |     |
|                | 25            | 76.8                 | 62,810                        | 93                             | 100             | 42.5            | 9,510                | 93                            | 100                            | 55.7            | 8,800           | 146                  |                               |                                |     |
|                | 30            | 73.5                 | 48,720                        | 92                             | 110             | 35.4            | 8,250                | 81                            | 110                            | 51.5            | 7,540           | 139                  |                               |                                |     |
|                | 35            | 70.1                 | 39,720                        | 90                             | 120             | 26.8            | 7,230                | 64                            | 120                            | 47.1            | 6,510           | 130                  |                               |                                |     |
|                | 40            | 66.7                 | 33,320                        | 88                             | 130             | 13.9            | 6,380                | 37                            | 130                            | 42.2            | 5,650           | 120                  |                               |                                |     |
|                | 50            | 59.5                 | 24,970                        | 83                             | 140'<br>(42.7M) | 27              | 80.7                 | 42,380 *                      | 144                            | 140             | 36.9            | 4,920                | 108                           |                                |     |
|                | 60            | 51.7                 | 19,840                        | 76                             |                 | 30              | 79.5                 | 42,370 *                      | 143                            | 150             | 30.8            | 4,290                | 93                            |                                |     |
|                | 70            | 43.0                 | 16,260                        | 67                             |                 | 35              | 77.4                 | 38,950                        | 142                            | 160             | 23.4            | 3,750                | 73                            |                                |     |
|                | 80            | 32.5                 | 13,660                        | 54                             |                 | 40              | 75.3                 | 32,530                        | 141                            | 170             | 12.1            | 3,290                | 41                            |                                |     |
| 90'            | 80            | 32.5                 | 13,660                        | 54                             |                 | 50              | 71.0                 | 24,140                        | 138                            | 180'<br>(54.9M) | 33              | 80.9                 | 24,240 *                      | 183                            |     |
|                | 90            | 16.9                 | 11,690                        | 32                             |                 | 60              | 66.6                 | 19,070                        | 134                            |                 | 35              | 80.2                 | 24,110 *                      | 183                            |     |
|                |               |                      |                               |                                | 70              | 62.0            | 15,480               | 129                           |                                | 40              | 78.6            | 23,210 *             | 182                           |                                |     |

# LIFT RATINGS IN POUNDS (continued)

## With 47HI Offset Tip Boom and 58,100 Pound Counterweight

| Boom            | Radius (Feet) | Boom Angle (Degrees) | Side Frames Extended (Pounds) | From Boom Pt. to Ground (Feet) | Boom            | Radius (Feet) | Boom Angle (Degrees) | Side Frames Extended (Pounds) | From Boom Pt. to Ground (Feet) | Boom            | Radius (Feet) | Boom Angle (Degrees) | Side Frames Extended (Pounds) | From Boom Pt. to Ground (Feet) |
|-----------------|---------------|----------------------|-------------------------------|--------------------------------|-----------------|---------------|----------------------|-------------------------------|--------------------------------|-----------------|---------------|----------------------|-------------------------------|--------------------------------|
| 180'<br>(54.9M) | 50            | 75.3                 | 20,080 *                      | 180                            | 190'<br>(57.9M) | 60            | 73.0                 | 16,110 *                      | 187                            | 200'<br>(61.0M) | 60            | 73.8                 | 13,800 *                      | 198                            |
|                 | 60            | 72.0                 | 18,410                        | 177                            |                 | 70            | 69.8                 | 14,640                        | 184                            |                 | 70            | 70.8                 | 12,770 *                      | 194                            |
|                 | 70            | 68.6                 | 14,800                        | 173                            |                 | 80            | 66.5                 | 12,010                        | 180                            |                 | 80            | 67.8                 | 11,840                        | 191                            |
|                 | 80            | 65.1                 | 12,180                        | 169                            |                 | 90            | 63.2                 | 10,020                        | 175                            |                 | 90            | 64.6                 | 9,840                         | 186                            |
|                 | 90            | 61.6                 | 10,190                        | 164                            |                 | 100           | 59.8                 | 8,460                         | 170                            |                 | 100           | 61.4                 | 8,270                         | 181                            |
|                 | 100           | 57.9                 | 8,630                         | 158                            |                 | 110           | 56.2                 | 7,200                         | 163                            |                 | 110           | 58.1                 | 7,010                         | 175                            |
|                 | 110           | 54.0                 | 7,360                         | 151                            |                 | 120           | 52.5                 | 6,160                         | 156                            |                 | 120           | 54.6                 | 5,970                         | 169                            |
|                 | 120           | 50.0                 | 6,330                         | 143                            |                 | 130           | 48.5                 | 5,290                         | 148                            |                 | 130           | 51.0                 | 5,100                         | 161                            |
|                 | 130           | 45.7                 | 5,460                         | 134                            |                 | 140           | 44.4                 | 4,550                         | 138                            |                 | 140           | 47.2                 | 4,370                         | 152                            |
|                 | 140           | 41.0                 | 4,720                         | 123                            |                 | 150           | 39.8                 | 3,930                         | 127                            |                 | 150           | 43.2                 | 3,740                         | 142                            |
|                 | 150           | 35.8                 | 4,100                         | 111                            |                 | 160           | 34.8                 | 3,390                         | 114                            |                 | 160           | 38.8                 | 3,190                         | 131                            |
|                 | 160           | 29.9                 | 3,550                         | 95                             |                 | 170           | 29.1                 | 2,910                         | 98                             |                 | 170           | 33.9                 | 2,710                         | 117                            |
|                 | 170           | 22.7                 | 3,080                         | 75                             |                 | 180           | 22.1                 | 2,500                         | 77                             |                 | 180           | 28.4                 | 2,300                         | 100                            |
| 180             | 11.8          | 2,690                | 42                            | 190                            | 11.5            | 2,150         | 43                   | 190                           | 21.5                           | 1,940           | 79            |                      |                               |                                |
| 190'<br>(57.9M) | 35            | 80.7                 | 19,320 *                      | 193                            | 200'<br>(61.0M) | 36            | 80.9                 | 16,750 *                      | 203                            |                 | 200           | 11.2                 | 1,560 *                       | 44                             |
|                 | 40            | 79.2                 | 18,660 *                      | 192                            |                 | 40            | 79.7                 | 16,230 *                      | 202                            |                 |               |                      |                               |                                |
|                 | 50            | 76.1                 | 17,360 *                      | 190                            |                 | 50            | 76.8                 | 15,000 *                      | 200                            |                 |               |                      |                               |                                |

## With 47HI Boom, #9HL Jib and 58,100 Pound Counterweight

| Boom and Jib Length                             | Jib Radius (Feet) | 5.0 Deg Offset |                  | 15.0 Deg Offset |                  | 25.0 Deg Offset |                  | Boom and Jib Length                             | Jib Radius (Feet) | 5.0 Deg Offset |                  | 15.0 Deg Offset |                  | 25.0 Deg Offset |                  |
|---|-------------------|----------------|------------------|-----------------|------------------|-----------------|------------------|---|-------------------|----------------|------------------|-----------------|------------------|-----------------|------------------|
|   |                   | Boom Angle     | Ratings (Pounds) | Boom Angle      | Ratings (Pounds) | Boom Angle      | Ratings (Pounds) |   |                   | Boom Angle     | Ratings (Pounds) | Boom Angle      | Ratings (Pounds) | Boom Angle      | Ratings (Pounds) |
| 40'<br>(12.2M)<br>JIB & 100'<br>(30.5M)<br>BOOM | 30                | 80.7           | 22,550*          |                 |                  |                 |                  | 40'<br>(12.2M)<br>JIB & 140'<br>(42.7M)<br>BOOM | 36                | 80.8           | 20,660*          |                 |                  |                 |                  |
|   | 35                | 78.6           | 22,550*          |                 |                  |                 |                  |   | 40                | 79.5           | 20,290*          |                 |                  |                 |                  |
|   | 40                | 76.5           | 22,270*          | 79.2            | 21,040*          |                 |                  |   | 50                | 76.3           | 19,360*          | 78.4            | 17,140*          | 80.4            | 13,940*          |
|   | 50                | 72.2           | 21,530*          | 74.9            | 20,440*          | 77.5            | 19,530*          |   | 60                | 73.0           | 18,380*          | 75.1            | 16,530*          | 77.0            | 13,730*          |
|   | 60                | 67.9           | 19,790           | 70.5            | 19,790           | 73.0            | 19,110*          |   | 70                | 69.6           | 15,440           | 71.7            | 15,440           | 73.6            | 13,330*          |
|   | 70                | 63.4           | 16,210           | 66.0            | 16,220           | 68.4            | 16,220           |   | 80                | 66.2           | 12,840           | 68.2            | 12,840           | 70.1            | 12,840           |
| 40'<br>(12.2M)<br>JIB & 110'<br>(33.5M)<br>BOOM | 80                | 58.7           | 13,610           | 61.2            | 13,610           | 63.6            | 13,620           | 90  | 62.6              | 10,870         | 64.7             | 10,870          | 66.5             | 10,870          |                  |
|   | 90                | 53.7           | 11,640           | 56.2            | 11,640           | 58.4            | 11,650           | 100   | 59.0              | 9,310          | 61.0             | 9,320           | 62.7             | 9,320           |                  |
|   | 100               | 48.4           | 10,100           | 50.8            | 10,100           | 52.9            | 10,100           | 110   | 55.1              | 8,060          | 57.1             | 8,070           | 58.8             | 8,070           |                  |
|   | 120               | 51.1           | 7,030            | 53.1            | 7,040            | 54.7            | 7,040            | 120   | 51.1              | 7,030          | 53.1             | 7,040           | 54.7             | 7,040           |                  |
|   | 130               | 46.9           | 6,180            | 48.8            | 6,180            | 50.3            | 6,180            | 130   | 46.9              | 6,180          | 48.8             | 6,180           | 50.3             | 6,180           |                  |
|   | 140               | 42.3           | 5,440            | 44.1            | 5,440            | 45.5            | 5,450            | 140   | 42.3              | 5,440          | 44.1             | 5,440           | 45.5             | 5,450           |                  |
| 40'<br>(12.2M)<br>JIB & 120'<br>(36.6M)<br>BOOM | 31                | 80.9           | 22,530*          |                 |                  |                 |                  | 40'<br>(12.2M)<br>JIB & 150'<br>(45.7M)<br>BOOM | 37                | 81.0           | 17,540*          |                 |                  |                 |                  |
|   | 35                | 79.3           | 22,530*          |                 |                  |                 |                  |   | 40                | 80.1           | 17,270*          |                 |                  |                 |                  |
|   | 40                | 77.4           | 22,380*          | 79.9            | 21,070*          |                 |                  |   | 50                | 77.0           | 16,390*          | 79.0            | 14,570*          | 80.9            | 11,850*          |
|   | 50                | 73.5           | 21,690*          | 76.0            | 20,550*          | 78.3            | 19,620*          |   | 60                | 73.9           | 15,480*          | 75.9            | 13,950*          | 77.7            | 11,580*          |
|   | 60                | 69.4           | 19,590           | 71.9            | 19,590           | 74.2            | 19,200*          |   | 70                | 70.7           | 14,620*          | 72.7            | 13,330*          | 74.5            | 11,160*          |
|   | 70                | 65.3           | 16,020           | 67.7            | 16,020           | 70.0            | 16,020           |   | 80                | 67.5           | 12,640           | 69.4            | 12,640           | 71.2            | 10,710*          |
|   | 80                | 61.0           | 13,420           | 63.4            | 13,420           | 65.6            | 13,420           |   | 90                | 64.2           | 10,670           | 66.1            | 10,670           | 67.8            | 10,200*          |
|   | 90                | 56.5           | 11,440           | 58.9            | 11,440           | 61.0            | 11,440           |   | 100               | 60.8           | 9,120            | 62.7            | 9,120            | 64.4            | 9,120            |
|   | 100               | 51.7           | 9,890            | 54.1            | 9,890            | 56.1            | 9,890            |   | 110               | 57.2           | 7,870            | 59.1            | 7,870            | 60.7            | 7,870            |
|   | 110               | 46.6           | 8,640            | 48.9            | 8,640            | 50.8            | 8,640            |   | 120               | 53.5           | 6,840            | 55.4            | 6,840            | 57.0            | 6,840            |
| 40'<br>(12.2M)<br>JIB & 130'<br>(39.6M)<br>BOOM | 33                | 80.7           | 22,520*          |                 |                  |                 |                  | 40'<br>(12.2M)<br>JIB & 160'<br>(48.8M)<br>BOOM | 39                | 80.9           | 14,880*          |                 |                  |                 |                  |
|   | 35                | 80.0           | 22,520*          |                 |                  |                 |                  |   | 40                | 80.6           | 14,800*          |                 |                  |                 |                  |
|   | 40                | 78.2           | 22,500*          | 80.6            | 21,220*          | 79.1            | 19,450*          |   | 50                | 77.7           | 13,940*          | 79.6            | 12,410*          |                 |                  |
|   | 50                | 74.5           | 21,840*          | 76.9            | 20,640*          |                 |                  |   | 60                | 74.7           | 13,080*          | 76.6            | 11,810*          | 78.4            | 9,770*           |
|   | 60                | 70.8           | 19,400           | 73.1            | 19,400           | 75.3            | 19,290*          |   | 70                | 71.7           | 12,280*          | 73.6            | 11,240*          | 75.3            | 9,380*           |
|   | 70                | 66.9           | 15,820           | 69.2            | 15,820           | 71.4            | 15,830           |   | 80                | 68.7           | 11,520*          | 70.5            | 10,610*          | 72.2            | 8,910*           |
|   | 80                | 62.9           | 13,220           | 65.2            | 13,220           | 67.3            | 13,220           |   | 90                | 65.6           | 10,480           | 67.4            | 10,000*          | 69.1            | 8,440*           |
|   | 90                | 58.8           | 11,240           | 61.1            | 11,240           | 63.1            | 11,240           |   | 100               | 62.4           | 8,930            | 64.2            | 8,930            | 65.8            | 7,940*           |
|   | 100               | 54.5           | 9,690            | 56.7            | 9,690            | 58.7            | 9,690            |   | 110               | 59.1           | 7,680            | 60.9            | 7,680            | 62.4            | 7,460*           |
|   | 110               | 49.9           | 8,440            | 52.1            | 8,440            | 53.9            | 8,440            |   | 120               | 55.6           | 6,650            | 57.4            | 6,650            | 58.9            | 6,650            |
| 120   | 45.0              | 7,410          | 47.1             | 7,420           | 48.8             | 7,420           | 130              | 52.1  | 5,790             | 53.8           | 5,790            | 55.3            | 5,790            |                 |                  |
| 40'<br>(12.2M)<br>JIB & 140'<br>(42.7M)<br>BOOM | 34                | 80.9           | 22,500*          |                 |                  |                 |                  | 140   | 48.3              | 5,060          | 50.0             | 5,060           | 51.4             | 5,070           |                  |
|   | 35                | 80.6           | 22,500*          |                 |                  |                 |                  | 150   | 44.3              | 4,440          | 46.0             | 4,440           | 47.3             | 4,440           |                  |
|   | 40                | 78.9           | 22,500*          |                 |                  |                 |                  | 160   | 40.0              | 3,890          | 41.6             | 3,890           | 42.8             | 3,900           |                  |
|   | 50                | 75.4           | 21,960*          | 77.7            | 20,260*          | 79.8            | 16,510*          |   |                   |                |                  |                 |                  |                 |                  |
|   | 60                | 71.9           | 19,220           | 74.1            | 19,220           | 76.2            | 16,330*          |   |                   |                |                  |                 |                  |                 |                  |
|   | 70                | 68.3           | 15,640           | 70.5            | 15,640           | 72.5            | 15,640           |   |                   |                |                  |                 |                  |                 |                  |
|   | 80                | 64.7           | 13,030           | 66.8            | 13,040           | 68.8            | 13,040           |   |                   |                |                  |                 |                  |                 |                  |

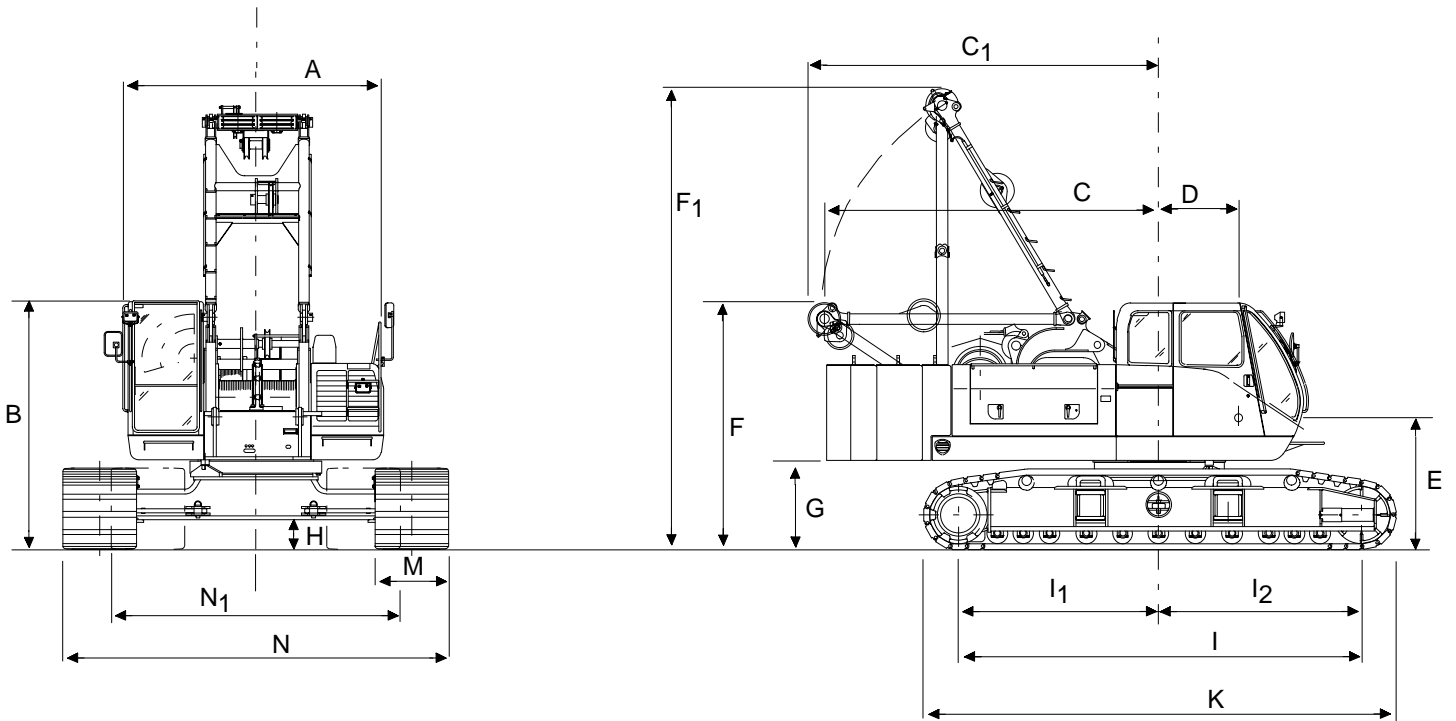
# LIFT RATINGS IN POUNDS (continued)

## With 47HI Boom, #9HL Jib and 58,100 Pound Counterweight (continued)

| Boom and Jib Length                 | Jib Radius (Feet) | 5.0 Deg Offset |                  | 15.0 Deg Offset |                  | 25.0 Deg Offset |                  |
|-------------------------------------|-------------------|----------------|------------------|-----------------|------------------|-----------------|------------------|
|                                     |                   | Boom Angle     | Ratings (Pounds) | Boom Angle      | Ratings (Pounds) | Boom Angle      | Ratings (Pounds) |
| 50' (15.2M) JIB & 130' (39.6M) BOOM | 37                | 80.8           | 21,560*          |                 |                  |                 |                  |
|                                     | 40                | 79.8           | 21,560*          |                 |                  |                 |                  |
|                                     | 50                | 76.5           | 21,230*          | 79.2            | 18,440*          |                 |                  |
|                                     | 60                | 73.2           | 19,260           | 75.9            | 18,050*          | 78.3            | 14,500*          |
|                                     | 70                | 69.9           | 15,670           | 72.5            | 15,670           | 74.9            | 14,320*          |
|                                     | 80                | 66.4           | 13,070           | 69.0            | 13,070           | 71.4            | 13,070           |
|                                     | 90                | 62.9           | 11,100           | 65.5            | 11,100           | 67.8            | 11,100           |
|                                     | 100               | 59.2           | 9,540            | 61.8            | 9,550            | 64.0            | 9,550            |
| 50' (15.2M) JIB & 140' (42.7M) BOOM | 110               | 55.4           | 8,290            | 57.9            | 8,300            | 60.1            | 8,300            |
|                                     | 120               | 51.4           | 7,260            | 53.8            | 7,270            | 55.9            | 7,270            |
|                                     | 130               | 47.1           | 6,410            | 49.5            | 6,410            | 51.5            | 6,410            |
|                                     | 38                | 80.9           | 19,100*          |                 |                  |                 |                  |
|                                     | 40                | 80.3           | 19,090*          |                 |                  |                 |                  |
|                                     | 50                | 77.3           | 18,270*          | 79.8            | 15,660*          |                 |                  |
|                                     | 60                | 74.2           | 17,330*          | 76.6            | 15,230*          | 79.0            | 12,250*          |
|                                     | 70                | 71.0           | 15,480           | 73.5            | 14,660*          | 75.8            | 12,030*          |
| 50' (15.2M) JIB & 150' (45.7M) BOOM | 80                | 67.8           | 12,870           | 70.2            | 12,870           | 72.5            | 11,660*          |
|                                     | 90                | 64.4           | 10,890           | 66.9            | 10,890           | 69.1            | 10,890           |
|                                     | 100               | 61.0           | 9,340            | 63.4            | 9,340            | 65.6            | 9,340            |
|                                     | 110               | 57.5           | 8,090            | 59.9            | 8,090            | 62.0            | 8,090            |
|                                     | 120               | 53.8           | 7,060            | 56.1            | 7,060            | 58.2            | 7,060            |
|                                     | 130               | 49.9           | 6,200            | 52.2            | 6,200            | 54.2            | 6,200            |
|                                     | 140               | 45.8           | 5,470            | 48.0            | 5,470            | 49.9            | 5,480            |
|                                     | 40                | 80.8           | 16,350*          |                 |                  |                 |                  |
| 50' (15.2M) JIB & 160' (48.8M) BOOM | 50                | 77.9           | 15,500*          | 80.3            | 13,360*          |                 |                  |
|                                     | 60                | 75.0           | 14,620*          | 77.3            | 12,930*          | 79.6            | 10,360*          |
|                                     | 70                | 72.0           | 13,810*          | 74.3            | 12,350*          | 76.5            | 10,130*          |
|                                     | 80                | 68.9           | 12,680           | 71.3            | 11,790*          | 73.4            | 9,780*           |
|                                     | 90                | 65.8           | 10,690           | 68.1            | 10,700           | 70.2            | 9,390*           |
|                                     | 100               | 62.6           | 9,140            | 64.9            | 9,140            | 67.0            | 8,960*           |
|                                     | 110               | 59.3           | 7,890            | 61.6            | 7,890            | 63.6            | 7,890            |
|                                     | 120               | 55.9           | 6,860            | 58.1            | 6,860            | 60.1            | 6,860            |
| 50' (15.2M) JIB & 170' (51.8M) BOOM | 130               | 52.3           | 6,000            | 54.5            | 6,000            | 56.4            | 6,010            |
|                                     | 140               | 48.5           | 5,270            | 50.7            | 5,270            | 52.5            | 5,280            |
|                                     | 150               | 44.5           | 4,650            | 46.7            | 4,650            | 48.4            | 4,650            |
|                                     | 41                | 81.0           | 13,930*          |                 |                  |                 |                  |
|                                     | 50                | 78.5           | 13,220*          | 80.8            | 11,420*          |                 |                  |
|                                     | 60                | 75.7           | 12,420*          | 78.0            | 10,970*          | 80.1            | 8,790*           |
|                                     | 70                | 72.9           | 11,620*          | 75.1            | 10,460*          | 77.2            | 8,530*           |
|                                     | 80                | 70.0           | 10,910*          | 72.2            | 9,900*           | 74.3            | 8,170*           |
| 50' (15.2M) JIB & 170' (51.8M) BOOM | 90                | 67.0           | 10,200*          | 69.2            | 9,370*           | 71.3            | 7,790*           |
|                                     | 100               | 64.0           | 8,960            | 66.2            | 8,830*           | 68.2            | 7,370*           |
|                                     | 110               | 60.9           | 7,710            | 63.1            | 7,710            | 65.0            | 6,950*           |
|                                     | 120               | 57.7           | 6,680            | 59.9            | 6,680            | 61.8            | 6,550*           |
|                                     | 130               | 54.4           | 5,810            | 56.5            | 5,810            | 58.4            | 5,820            |
|                                     | 140               | 50.9           | 5,080            | 53.0            | 5,080            | 54.8            | 5,090            |
|                                     | 150               | 47.3           | 4,470            | 49.3            | 4,470            | 51.0            | 4,470            |
|                                     | 160               | 43.4           | 3,920            | 45.4            | 3,920            | 47.0            | 3,930            |
| 50' (15.2M) JIB & 170' (51.8M) BOOM | 43                | 80.9           | 11,760*          |                 |                  |                 |                  |
|                                     | 50                | 79.0           | 11,240*          |                 |                  |                 |                  |
|                                     | 60                | 76.4           | 10,490*          | 78.5            | 9,290*           | 80.6            | 7,450*           |
|                                     | 70                | 73.7           | 9,740*           | 75.8            | 8,800*           | 77.8            | 7,150*           |
|                                     | 80                | 70.9           | 9,090*           | 73.1            | 8,250*           | 75.0            | 6,780*           |
|                                     | 90                | 68.1           | 8,440*           | 70.3            | 7,730*           | 72.2            | 6,400*           |
|                                     | 100               | 65.3           | 7,840*           | 67.4            | 7,250*           | 69.3            | 6,010*           |
|                                     | 110               | 62.4           | 7,290*           | 64.4            | 6,740*           | 66.3            | 5,600*           |
|                                     | 120               | 59.4           | 6,470            | 61.4            | 6,280*           | 63.2            | 5,220*           |
|                                     | 130               | 56.3           | 5,610            | 58.3            | 5,620            | 60.1            | 4,840*           |
|                                     | 140               | 53.0           | 4,880            | 55.1            | 4,890            | 56.8            | 4,450*           |
| 150                                 | 49.7              | 4,260          | 51.6             | 4,260           | 53.3             | 4,070*          |                  |
| 160                                 | 46.1              | 3,720          | 48.1             | 3,720           | 49.6             | 3,700*          |                  |
| 170                                 | 42.3              | 3,240          | 44.2             | 3,250           | 45.7             | 3,250           |                  |

| Boom and Jib Length                 | Jib Radius (Feet) | 5.0 Deg Offset |                  | 15.0 Deg Offset |                  | 25.0 Deg Offset |                  |
|-------------------------------------|-------------------|----------------|------------------|-----------------|------------------|-----------------|------------------|
|                                     |                   | Boom Angle     | Ratings (Pounds) | Boom Angle      | Ratings (Pounds) | Boom Angle      | Ratings (Pounds) |
| 60' (18.3M) JIB & 150' (45.7M) BOOM | 42                | 80.9           | 15,270*          |                 |                  |                 |                  |
|                                     | 50                | 78.7           | 14,640*          |                 |                  |                 |                  |
|                                     | 60                | 75.9           | 13,810*          | 78.7            | 11,900*          |                 |                  |
|                                     | 70                | 73.1           | 13,030*          | 75.8            | 11,450*          | 78.3            | 9,070*           |
|                                     | 80                | 70.2           | 12,320*          | 72.9            | 10,950*          | 75.4            | 8,860*           |
|                                     | 90                | 67.3           | 10,730           | 69.9            | 10,420*          | 72.4            | 8,540*           |
|                                     | 100               | 64.3           | 9,160            | 66.9            | 9,170            | 69.3            | 8,220*           |
|                                     | 110               | 61.2           | 7,910            | 63.8            | 7,910            | 66.1            | 7,830*           |
|                                     | 120               | 58.0           | 6,880            | 60.6            | 6,880            | 62.9            | 6,890            |
|                                     | 130               | 54.6           | 6,020            | 57.2            | 6,020            | 59.4            | 6,030            |
|                                     | 140               | 51.2           | 5,290            | 53.7            | 5,300            | 55.9            | 5,300            |
| 150                                 | 47.5              | 4,670          | 50.0             | 4,670           | 52.1             | 4,670           |                  |
| 60' (18.3M) JIB & 160' (48.8M) BOOM | 44                | 80.8           | 12,930*          |                 |                  |                 |                  |
|                                     | 50                | 79.3           | 12,460*          |                 |                  |                 |                  |
|                                     | 60                | 76.6           | 11,740*          | 79.2            | 10,100*          |                 |                  |
|                                     | 70                | 73.9           | 11,020*          | 76.5            | 9,660*           | 78.9            | 7,700*           |
|                                     | 80                | 71.1           | 10,310*          | 73.7            | 9,200*           | 76.1            | 7,440*           |
|                                     | 90                | 68.4           | 9,670*           | 70.9            | 8,730*           | 73.3            | 7,110*           |
|                                     | 100               | 65.5           | 8,990            | 68.0            | 8,270*           | 70.4            | 6,790*           |
|                                     | 110               | 62.6           | 7,740            | 65.1            | 7,740            | 67.4            | 6,440*           |
|                                     | 120               | 59.6           | 6,700            | 62.1            | 6,710            | 64.3            | 6,070*           |
|                                     | 130               | 56.5           | 5,840            | 58.9            | 5,850            | 61.1            | 5,710*           |
|                                     | 140               | 53.3           | 5,100            | 55.7            | 5,110            | 57.8            | 5,110            |
| 150                                 | 49.9              | 4,490          | 52.3             | 4,490           | 54.3             | 4,490           |                  |
| 160                                 | 46.3              | 3,940          | 48.7             | 3,940           | 50.6             | 3,950           |                  |
| 60' (18.3M) JIB & 170' (51.8M) BOOM | 45                | 81.0           | 11,020*          |                 |                  |                 |                  |
|                                     | 50                | 79.7           | 10,620*          |                 |                  |                 |                  |
|                                     | 60                | 77.2           | 9,940*           | 79.7            | 8,590*           |                 |                  |
|                                     | 70                | 74.6           | 9,250*           | 77.1            | 8,170*           | 79.4            | 6,460*           |
|                                     | 80                | 72.0           | 8,600*           | 74.5            | 7,710*           | 76.8            | 6,190*           |
|                                     | 90                | 69.4           | 8,020*           | 71.8            | 7,230*           | 74.1            | 5,870*           |
|                                     | 100               | 66.6           | 7,430*           | 69.1            | 6,790*           | 71.3            | 5,530*           |
|                                     | 110               | 63.9           | 6,910*           | 66.3            | 6,340*           | 68.5            | 5,190*           |
|                                     | 120               | 61.1           | 6,400*           | 63.4            | 5,920*           | 65.6            | 4,850*           |
|                                     | 130               | 58.1           | 5,640            | 60.5            | 5,500*           | 62.6            | 4,520*           |
|                                     | 140               | 55.1           | 4,910            | 57.5            | 4,910            | 59.5            | 4,180*           |
| 150                                 | 52.0              | 4,280          | 54.3             | 4,280           | 56.3             | 3,850*          |                  |
| 160                                 | 48.7              | 3,740          | 51.0             | 3,740           | 52.9             | 3,530*          |                  |
| 170                                 | 45.2              | 3,260          | 47.5             | 3,270           | 49.3             | 3,190*          |                  |

# AMERICAN MODEL HC 80 GENERAL DIMENSIONS



|                |   | FEET         | MM    |                |   | FEET       | MM    |
|----------------|---|--------------|-------|----------------|---|------------|-------|
| A              | Width of machinery cab .....            | 10'-5 3/16"  | 3,180 | I              | Center to center of crawler tumblers .....          | 16'-7 1/4" | 5060  |
| B              | Height over operator's cab .....        | 10'-1 1/4"   | 3,080 | I <sub>1</sub> | Center of drive tumbler to center of rotation ..... | 8'-3 1/4"  | 2,520 |
| C              | Tail swing .....                        | 13'-8 3/8"   | 4,175 | I <sub>2</sub> | Center of idler tumbler to center of rotation ..... | 8'-4"      | 2,540 |
| C <sub>1</sub> | Tail swing with A-Frame lowered .....   | 14'-5 1/4"   | 4,400 | K              | Overall length of crawlers .....                    | 19'-5 7/8" | 5,940 |
| D              | Center rotation to boom foot .....      | 3'-3 3/8"    | 1,000 | M              | Width of tread shoe (standard) .....                | 36"        | 915   |
| E              | Ground to center of boom foot .....     | 5'-5"        | 1,650 | N              | Overall width of crawler Shoes Extended ....        | 15'-9"     | 4,800 |
| F              | Height over A-Frame lowered .....       | 10'-1 5/8"   | 3,090 | N <sub>1</sub> | Shoes Retracted .....                               | 11'-9 3/4" | 3,600 |
| F <sub>1</sub> | Height over A-Frame raised .....        | 18'-0 15/16" | 5,510 |                |   |            |       |
| G              | Ground to bottom of counterweight ..... | 3'-7 7/8"    | 1,115 |                |   |            |       |
| H              | Minimum ground clearance .....          | 1'-2 9/16"   | 370   |                |   |            |       |

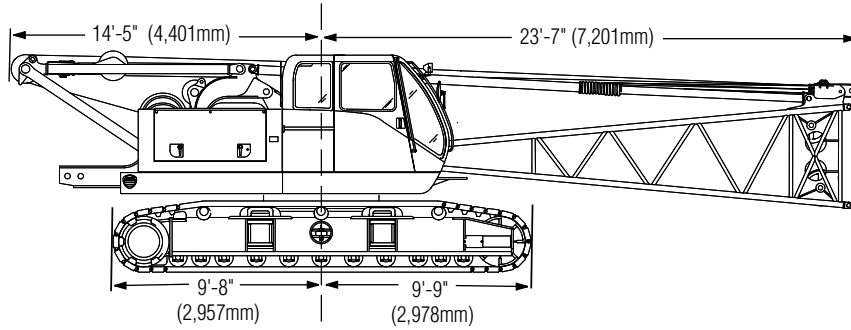
## TRANSPORT LOADS - HC 80 MACHINE, 170' 47HI BOOM AND 60' #9HL JIB

| Load 1  | Weight                | Load 2*              | Weight               | Load 3*                         | Weight               |
|---|-----------------------|----------------------|----------------------|---------------------------------|----------------------|
| Basic upper Including: Carbody, 47HI Boom Inner & Side Frames | 88,000lbs (39,917kg)  | 47H 30' Boom Center  | 2,045lbs (928kg)     | Outside Counterweight           | 21,000lbs (9,526kg)  |
|   |                       | Inside Counterweight | 16,000lbs (7,258kg)  | 47HI Boom Outer                 | 2,225lbs (1,009kg)   |
|   |                       | 47H 30' Boom Center  | 2,045lbs (928kg)     | 47H 30' Boom Center             | 2,045lbs (928kg)     |
|   |                       | #9HL 20' Jib Center  | 385lbs (175kg)       | #9HL Jib Inner                  | 890lbs (404kg)       |
|   |                       | 47H 30' Boom Center  | 2,045lbs (928kg)     | #9HL Jib Outer                  | 665lbs (303kg)       |
|   |                       | Center Counterweight | 21,000lbs (9,526kg)  | Crate: Misc. Parts Block & Ball | 3,500lbs (1588kg)    |
| 47H 10' Boom Center   | 700lbs (318kg)        |                      |                      |                                 |                      |
| Total Weights   | 88,000lbs (39,917kgs) |                      | 44,220lbs (20,058kg) |                                 | 30,325lbs (13,755kg) |

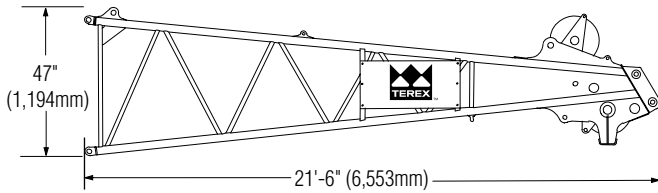
\*Loads based on 48 ft flatbed trailer.  
Loading information above is an example only, specific loads will vary depending on crane options.

# SHIPPING DATA

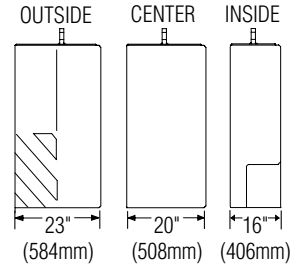
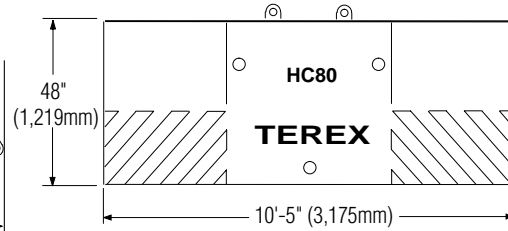
Basic Crane with 47HI Inner



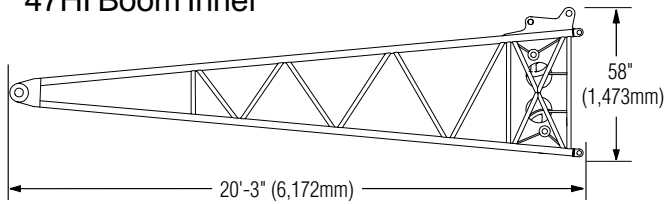
47HI Boom Outer



Counterweight



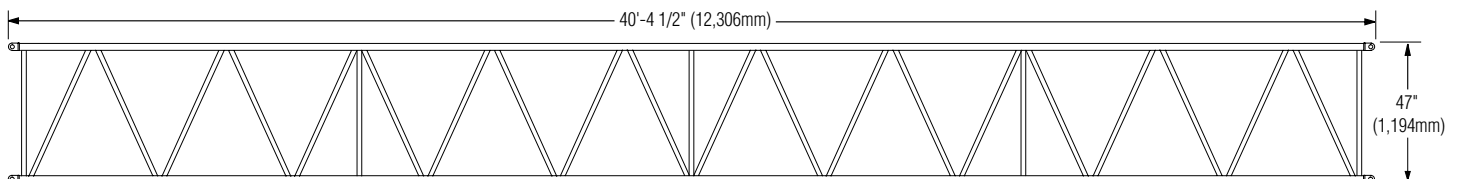
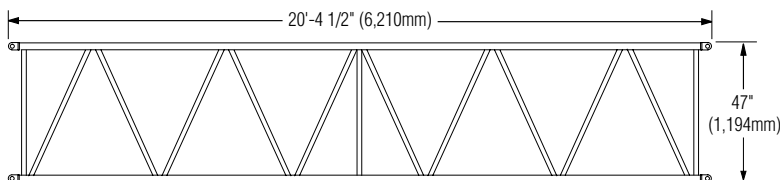
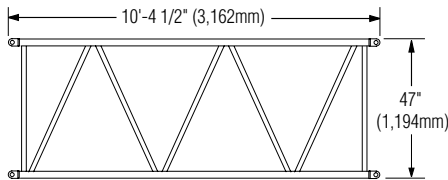
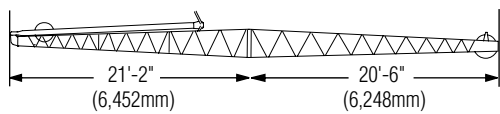
47HI Boom Inner



## COMPONENT WEIGHTS

|  | LBS.   | KGS.   |
|--|--------|--------|
| Basic Upper, Carbody, Boom Inner and Side Frames ..... | 88,000 | 39,917 |
| Counterweight - Total .....                            | 58,000 | 26,309 |
| Inside Counterweight .....                             | 16,000 | 7,258  |
| Center Counterweight .....                             | 21,000 | 9,526  |
| Outside Counterweight .....                            | 21,000 | 9,526  |
| Boom Inner 47HI .....                                  | 3,660  | 1,660  |
| Boom Outer 47HI .....                                  | 2,225  | 1,009  |
| Boom Center Section with Pendants - 10 ft. - 47H ...   | 700    | 318    |
| Boom Center Section with Pendants - 20 ft. - 47H ...   | 1,230  | 558    |
| Boom Center Section with Pendants - 30 ft. - 47H ...   | 2,045  | 928    |
| Jib Inner with Mast, 9HL .....                         | 890    | 404    |
| Jib Outer with Pendant, 9HL .....                      | 665    | 303    |
| Jib Center Section with Pendant, 10 ft. 9HL .....      | 190    | 87     |
| Jib Center Section with Pendant, 20 ft. 9HL .....      | 385    | 175    |

#9HL Jib



## BOOM COMPOSITION CHART

| Boom Length Feet | Boom Sections  |                |                |                |                |
|------------------|----------------|----------------|----------------|----------------|----------------|
|                  | 20' 47HI Inner | 10' 47H Center | 20' 47H Center | 30' 47H Center | 20' 47HI Outer |
| 40               | 1              | 0              | 0              | 0              | 1              |
| 50               | 1              | 1              | 0              | 0              | 1              |
| 60               | 1              | 0              | 1              | 0              | 1              |
| 70               | 1              | 0              | 0              | 1              | 1              |
| 80               | 1              | 1              | 0              | 1              | 1              |
| 90               | 1              | 0              | 1              | 1              | 1              |
| 100              | 1              | 0              | 0              | 2              | 1              |
| 110              | 1              | 1              | 0              | 2              | 1              |
| 120              | 1              | 0              | 1              | 2              | 1              |
| 130              | 1              | 0              | 0              | 3              | 1              |
| 140              | 1              | 1              | 0              | 3              | 1              |
| 150              | 1              | 0              | 1              | 3              | 1              |
| 160              | 1              | 0              | 0              | 4              | 1              |
| 170              | 1              | 1              | 0              | 4              | 1              |
| 180              | 1              | 0              | 1              | 4              | 1              |
| 190              | 1              | 0              | 0              | 5              | 1              |
| 200              | 1              | 1              | 0              | 5              | 1              |

### #9HL Jib Composition

| Jib Length Feet | 20' Inner | 10' Center | 20' Center | 20' Outer |
|-----------------|-----------|------------|------------|-----------|
| 40              | 1         | 0          | 0          | 1         |
| 50              | 1         | 1          | 0          | 1         |
| 60              | 1         | 0          | 1          | 1         |

## LOAD HOISTING INFORMATION

| Maximum Lifting Capacity in Pounds | Minimum Parts of Line | Maximum Hoisting Dist. in Ft. |
|------------------------------------|-----------------------|-------------------------------|
|                                    |                       | Main & Auxiliary              |
| 160,000                            | 8                     | 73                            |
| 159,180                            | 7                     | 84                            |
| 136,440                            | 6                     | 98                            |
| 113,700                            | 5                     | 117                           |
| 90,960                             | 4                     | 147                           |
| 68,220                             | 3                     | 196                           |
| 45,480                             | 2                     | 294                           |
| 22,740                             | 1                     | 588                           |

## SPECIFICATIONS

|                    |                         |
|--------------------|-------------------------|
| Swing Speed .....  | 3.30 RPM                |
| Travel Speed ..... | 1.24 MPH High Range     |
| .....              | 0.8 MPH Low Range       |
| Gradeability ..... | 40% (approximately 22°) |

## GROUND PRESSURE

Lifting crane with 40' 47HI boom, standard counterweight  
 36" (914 mm) Shoes ..... 9.17 psi

## MAXIMUM BOOM & JIB SELF-ERECTION DATA

| #9HL JIB | Over The End    |                | Over The Side   |                |
|----------|-----------------|----------------|-----------------|----------------|
|          | Boom Length Ft. | Jib Length Ft. | Boom Length Ft. | Jib Length Ft. |
|          | 200             | 0              | 200             | 0              |
| 170      | 60              | 170            | 60              |                |

## HC80 DRUM PERFORMANCE

### MAIN & AUXILIARY HOIST - 7/8" DIAMETER ROPE

| Rope Layer | Low Range               |                           | High Range              |                           | Total Rope Length Ft. |
|------------|-------------------------|---------------------------|-------------------------|---------------------------|-----------------------|
|            | Line Speed Ft. per Min. | Single Line Pull Pounds** | Line Speed Ft. per Min. | Single Line Pull Pounds** |                       |
| 1          | 258                     | 32,400                    | 337                     | 24,400                    | 81                    |
| 2          | 279                     | 29,900                    | 365                     | 22,500                    | 174                   |
| 3          | 300                     | 27,900                    | 392                     | 21,000                    | 268                   |
| 4          | 321                     | 26,000                    | 420                     | 19,600                    | 375                   |
| 5          | 336                     | 24,500                    | 447                     | 18,400                    | 482                   |
| 6          | 363                     | 23,000                    | 474                     | 17,300                    | 603                   |
| 7*         | 379                     | 22,100                    | 495                     | 16,600                    | 722                   |
| 8*         | 407                     | 20,500                    | 532                     | 15,430                    | 860                   |

\*RECOMMENDED FOR STORAGE ONLY

### 3rd DRUM WITH FREE FALL - 5/8" DIAMETER ROPE

| Rope Layer | Load                    |                           | No Load                 |                       |
|------------|-------------------------|---------------------------|-------------------------|-----------------------|
|            | Line Speed Ft. per Min. | Single Line Pull Pounds** | Line Speed Ft. per Min. | Total Rope Length Ft. |
| 1          | 181                     | 18,600                    | 219                     | 59                    |
| 2          | 195                     | 17,300                    | 235                     | 118                   |
| 3          | 209                     | 16,200                    | 252                     | 185                   |
| 4          | 222                     | 15,200                    | 269                     | 253                   |
| 5          | 236                     | 14,300                    | 285                     | 329                   |
| 6          | 250                     | 13,500                    | 302                     | 405                   |
| 7          | 263                     | 12,800                    | 318                     | 490                   |
| 8          | 277                     | 12,200                    | 335                     | 575                   |
| 9          | 291                     | 11,600                    | 352                     | 669                   |
| 10         | 305                     | 11,100                    | 368                     | 761                   |
| 11*        | 317                     | 10,590                    | 384                     | 835                   |

\*RECOMMENDED FOR STORAGE ONLY

\*\*Single Line Pull reflects the maximum hydraulic capability of the hoist unit at the given layer and range setting. The allowable single line pull may be limited by the strength of the hoist rope. See load hoisting table for rope limitations.

## CRANE RATING DATA

---

### **WARNING**

This rating is invalid if the crane has been modified or altered by use of other than **GENUINE AMERICAN PARTS** as such modifications or alterations may affect its capacity or safe operation. See American Crane Corporation Service Bulletin #259.

The ratings in this chart are for planning purposes only. Only those ratings specifically assigned to a crane and mounted in the operator's cab or in the Operator's Manual should be used for actual operation.

Ratings in this chart are in POUNDS and do not exceed the percentage of tipping specified for this crane by ANSI B30.5. All ratings require that the crane be standing level on a firm uniformly supporting surface.

Do not lift loads in excess of those shown on this chart. Lifting loads in excess of those shown or operation not in accordance with good operating practice, including limitations shown on page 3499 of Operator's Manual, can cause tipping, structural damage or catastrophic failure.

Asterisk (\*) areas on this chart indicate ratings which are limited by strength of material or factors other than stability (tipping).

"RADIUS IN FEET" is the horizontal distance at ground level from the crane centerline of rotation to a vertical line through the center of gravity of the suspended load.

When using the main boom fall with jib in place, the main fall ratings must be reduced by the jib effective weight shown on the jib rating chart plus twice the weight of all suspended blocks, slings, rope, etc., at the jib fall.

When using the main boom fall with boom tip extension in place, the main fall ratings must be reduced by the weight of the boom tip extension plus twice the weight of all suspended blocks, slings, rope, etc., at the boom tip extension fall.

Blocks, slings, buckets and other load carrying devices are considered part of the load. The weight of standard hoisting ropes for the rating at a given radius has been calculated as part of the boom point load and need not be considered in determining net allowable loads.

Ratings shown on this chart make no allowance for such factors as out of plumb loads, wind, poor soil conditions, and dynamic effects due to excessive operating speeds. The user (operator) must exercise judgement to make allowance for these conditions. See page 3499 of Operator's Manual for detailed information.

No account is taken of the wind force on the load. This effect, which can be substantial for loads with large surface areas, must be considered by the user. In any wind it is strongly recommended that taglines be used to control the load.

BOOM HOIST LINE is 14 parts of 5/8 inch diameter EIPS wire rope with a minimum breaking strength of 41,200 pounds.

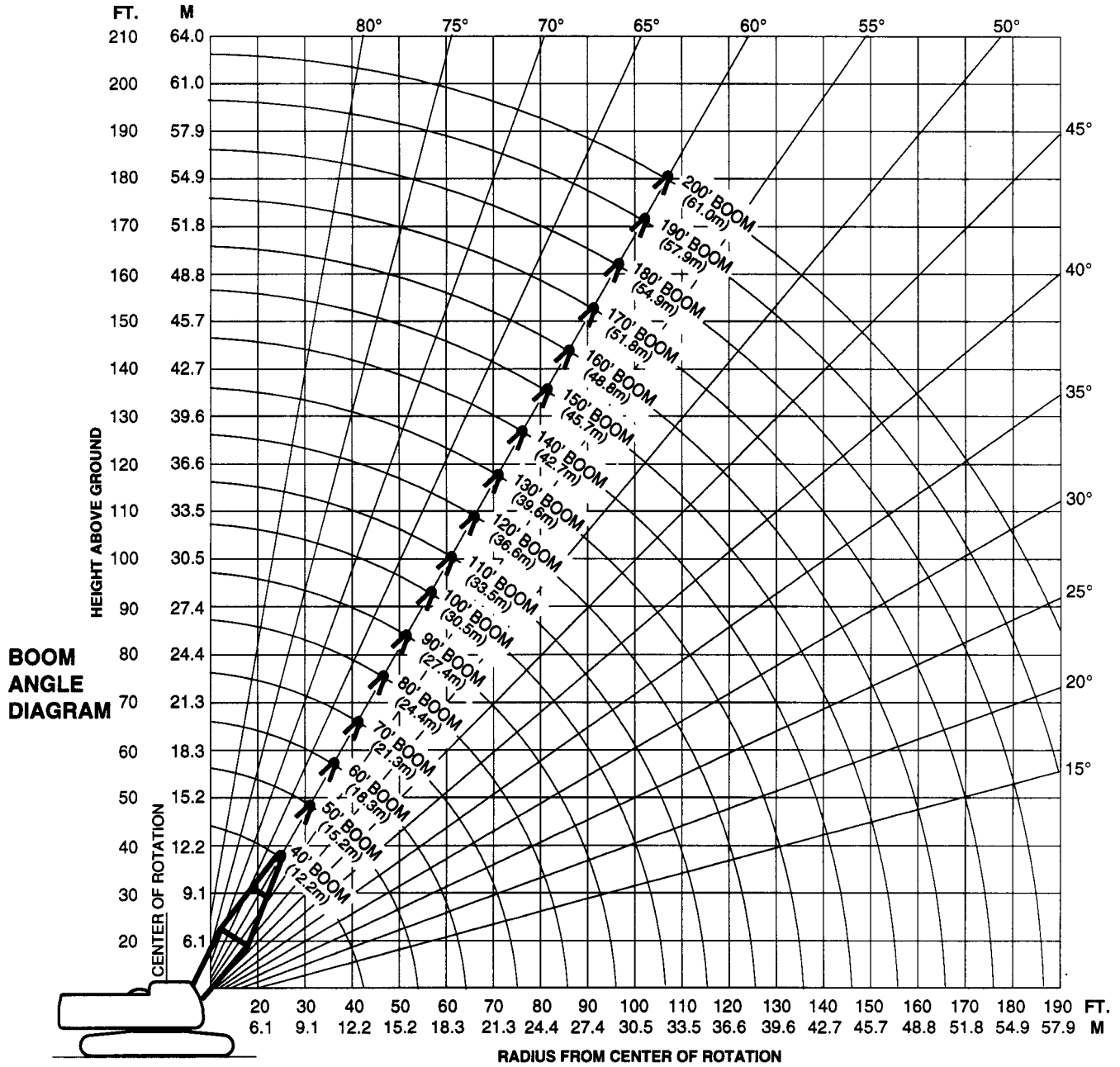
PENDANT SUSPENSION LINE is 2 parts of 1-1/4 inch diameter MONOLAY wire rope with a minimum breaking strength of 172,800 pounds.

MAIN AND AUXILIARY LOAD LINES are 7/8 inch diameter EIPS wire rope with a minimum breaking strength of 79,600 pounds.

THIRD DRUM LINE is 5/8 inch diameter IPS wire rope with a minimum breaking strength of 35,000 pounds.

Erection "OVER THE END" is with the boom over the idler end. Erection "OVER THE SIDE" is with the boom 90° to the side frames and with the side frames extended. Blocks, slings and other load carrying devices must be on the ground during erection.

# AMERICAN MODEL HC 80 WORKING RANGES WITH 47HI BOOM



For more information, product demonstration, or details on sales, lease and rental plans, please contact your local Terex American Crane Distributor.

We reserve the right to amend these specifications at any time without notice. The only warranty applicable is our standard written warranty applicable to the particular product and sale. We make no other warranty, expressed or implied.

 **TEREX CRANES**

AMERICAN CRANE CORPORATION  
 202 Raleigh Street  
 Wilmington, NC 28412 USA  
 (910) 395-8500 • FAX: (910) 395-8538  
 E-mail: american@american-crane.com

[www.terexlift.com](http://www.terexlift.com)