

## Platform

1.33 m x 0.70 m  
aluminium platform

Slide bar rear entry

Footswitch

Full proportional control

1.43 m articulating jib

Remote control (via RF) and  
full pressure hydraulics control

Multi-lingual LCD display in on  
remote console

Platform console position interlock

## Functional Equipment & Accessories

Black low profile rubber tracks

Padded outriggers with cylinder  
rod protection

Automatic stabilization

Platform load sensing with  
automatic work envelope restriction  
(200kg/120kg)

Triple emergency stop control

Auto cut-out when out of level

Three emergency descent functions

Plus 1° non-continuous rotation

Alignment assistance

## Available Options

90 AH/48V electric engine with Lithium  
battery package including battery  
charger.

Hatz 1B40 7.5HP – 7.5KW  
diesel engine

2<sup>nd</sup> travel speed (2.8 km/h)

180 x 72 x 37 mm low profile  
non-marking tracks

Black deep-thread lug tracks

Single person platform  
0.77 m x 0.60 m

## Power & Transmission

Electric engine  
2,2 KW – 110V/220V – 50Hz

Honda iGX440 15HP – 11 KW  
petrol engine

Engine protection



**JLG Industries Inc.**  
Polaris Avenue 63  
2132 JH Hoofddorp  
The Netherlands  
Tel: +31 (0)23 565 5665  
Fax: +31 (0)23 557 3750  
e-mail address: europe@jlg.com  
[www.jlgeurope.com](http://www.jlgeurope.com)  
An Oshkosh Corporation Company

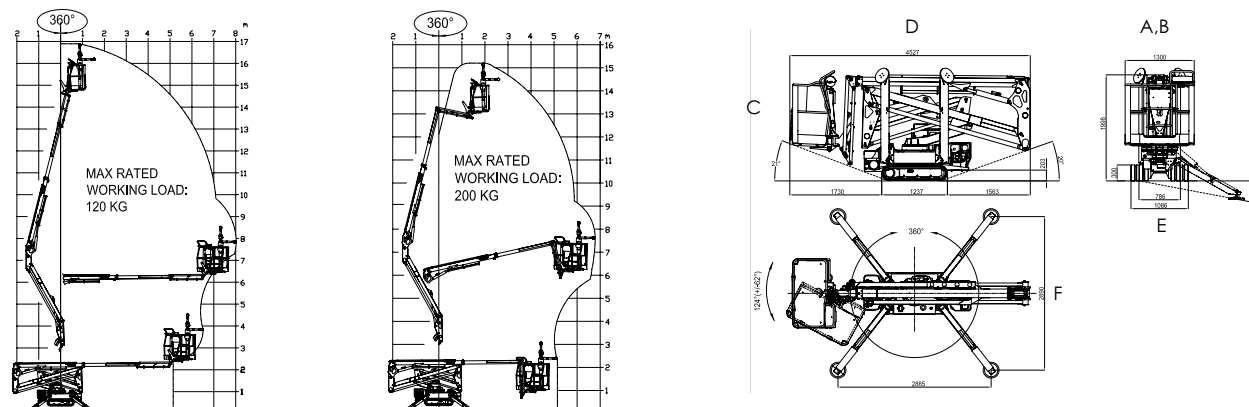
Printed in Belgium  
FORM No.: DSX17J  
PART NO.: DSX17J-ENGLISH



## X17J

	120 kg (restricted)	200 kg (unrestricted)
Working height	16.81 m	15.12 m
Platform height	14.81 m	13.12 m
Horizontal outreach (Standard platform)	8.18 m	6.95 m
Up and over height	8.50 m	8.50 m
Swing (non-continuous)	361°	
Jib - overall length	1.43 m	
Jib - range of articulation	88° ( -2° / -90°)	
A. Platform size/ Standard platform	1.33 m x 0.66 m	
B. Overall width (with basket)	1.33 m	
Overall width (without basket)	0.79 m	
C. Stowed height (with outrigger pads)	2.08 m	
Stowed height (without outrigger pads)	1.98 m	
D. Overall length	4.53 m	
E. Wheelbase	0.79 m x 1.24 m	
F. Outrigger footprint	2.89 m x 2.89 m	
Machine Weight <sup>1</sup> ( Standard platform)	2.098 Kg	
Maximum ground bearing pressure on stabilizers	2.05 daN/cm <sup>2</sup>	
Maximum ground bearing pressure on tracks	-a	
Drive speed	1.3 Km/h	
Gradeability	20° (36.4%)	
Max. allowable tilt / Slope allowance	10%	
Depart / approach angle	-	
Tracks	180 x 72 x 37 cm	
Width of undercarriage	786 / 1086 cm	
AC motor	110V/220V 50Hz / 2.2 KW	

<sup>1</sup> Certain options or country standards may increase weight and/or dimensions.



©2011, JLG Industries, Inc.

JLG is continually researching and developing products and reserves the right to make modifications without prior notice. All data in this document is indicative. Certain options or country standards will increase weight. Specifications may change to meet country standards or with the addition of optional equipment.

